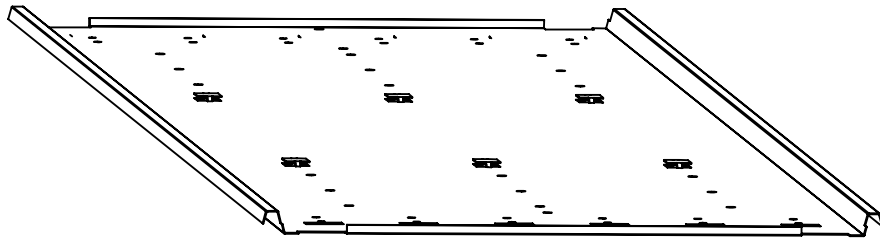


CT4 HOUSINGS

- CT4-HV5-1H
- CT4-HV5-2H



BOARDTRAYS

- CT4-LED-BT1-4R095
- CT4-LED-BT1-4R160
- CT4-LED-BT1-4R190



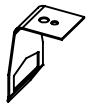
LATCHES

- CT4-LATCHSS



MOUNTING BRACKET

- CT4-MB



GT RETAINER CLIP

- CT4-GTRC



GT RC SCREW

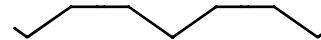
- CT4-SCRW



DIFFUSERS

- CT4-DP
- CT4-DIRA
- CT4-DIRA-FR50

DIRA is Impact Resistant Acrylic.
DP is Clear Polycarbonate



REFLECTORS

- CT4-RF-4L-U
- CT4-RF-6L-U



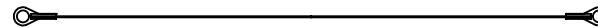
MOUNTING

- CT4-VHOOK
- CT4-CM1.25



END PLUG

- CT-ENDPLUG-B



TETHER

- CT-LT8
- CT-LT12

Citadel 4

Parts List

Page 3



1400 South Old Highway 141
Fenton, MO. 63026
PH (636) 600-4084 FX (636) 600-4108
www.SLPlighting.com

Citadel 4 LED: FLAT BOARD TRAY SYSTEM

CT2 LED FLAT BOARD TRAY

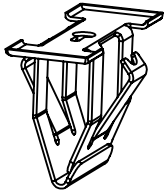
- CT4-LED-BT1-4R-095
- CT4-LED-BT1-4R-160**
- CT4-LED-BT1-4R-190

VIEWED FLAT BOARD TRAY

- CT4-LED-BT1-4R-160

CT4 Heat Management Housings

- CT4-HV5-BR
- CT4i-HV5-BR



BOARD RETENTION CLIP

- CT2-LED-BRC-SM

All Models and Drawings of the Flay Board Trays with the exception of "Viewed" Files use cut-outs to symbolize lances, bridges, and K.O.'s for our manufacturing purposes. The "Viewed" files are strickly a 3D Visual of the stamped features.

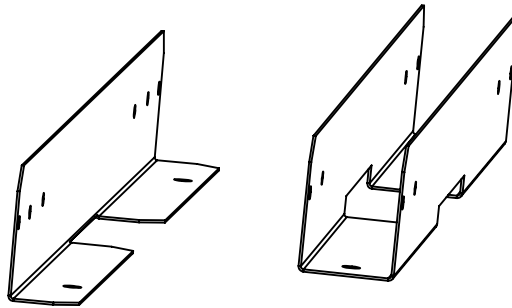
Board Trays that are **BOLDED** were used for a SLP DLC listed product. If you do not use boards from SLP suggested list, a custom board tray can be designed.

4R: Four Rows

095: Nominal Board Width 0.950"

160: Nominal Board Width 1.600"

190: Nominal Board Width 1.900"



DRIVER TRAY

- CT-LED-DT-L
- CT-LED-DT-U

UNIVERSAL GEAR TRAY SCREW

- CT-SCRW-UGT

In most instances, a driver tray will not be necessary with the CT4-LED. Most systems will use one or two drivers which can be mounted to the BR system attached to the housing itself.

Citadel 2 LED

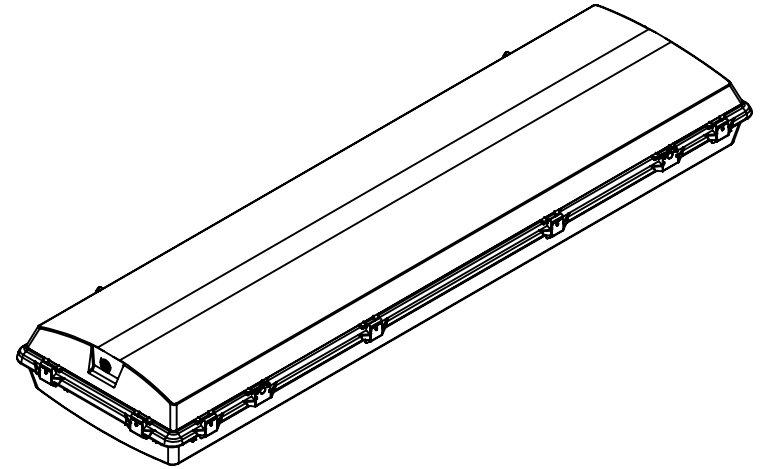
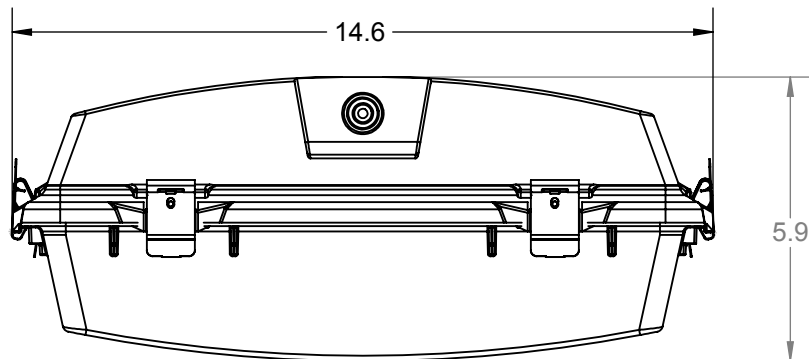
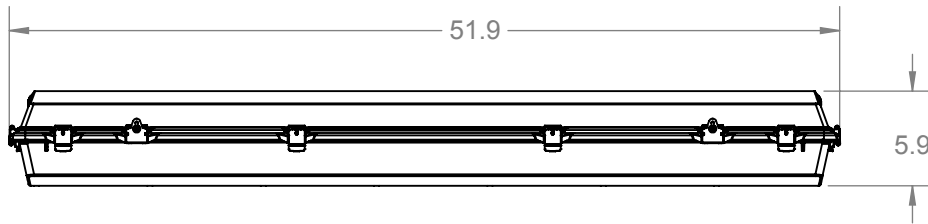
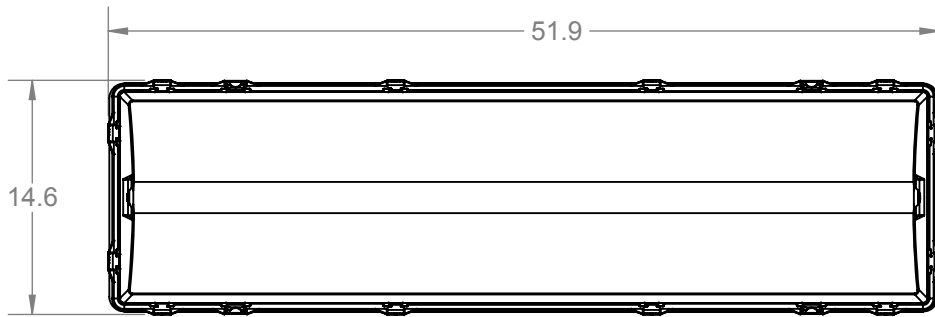
Parts List

Page 7



1400 South Old Highway 141
Fenton, MO. 63026
PH (636) 600-4084 FX (636) 600-4108
www.SLPlighting.com

LINE DRAWINGS



Citadel 4
Line Drawings

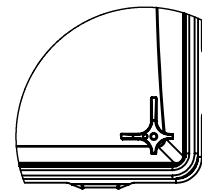
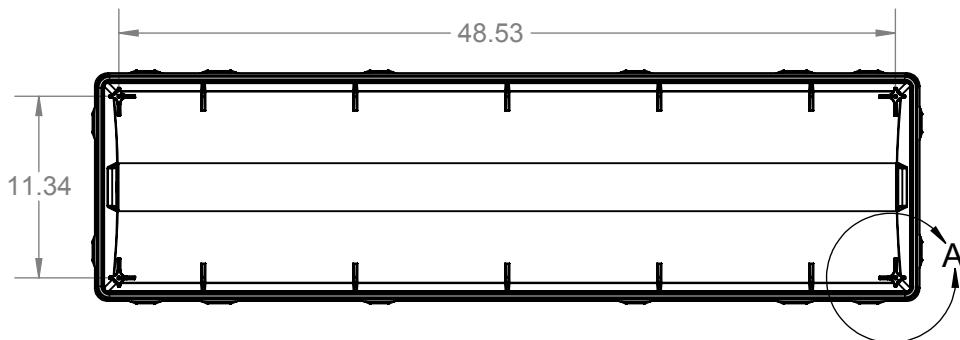
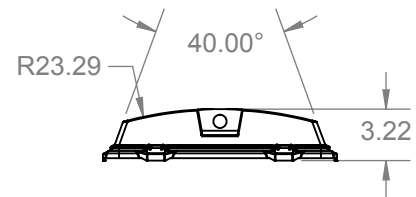
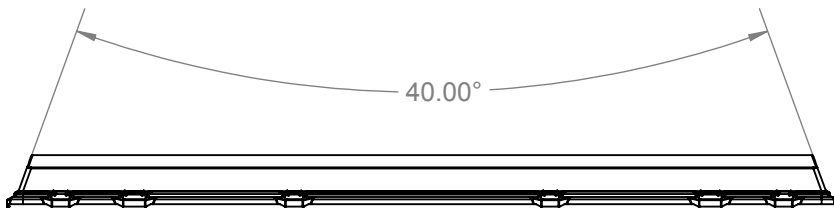
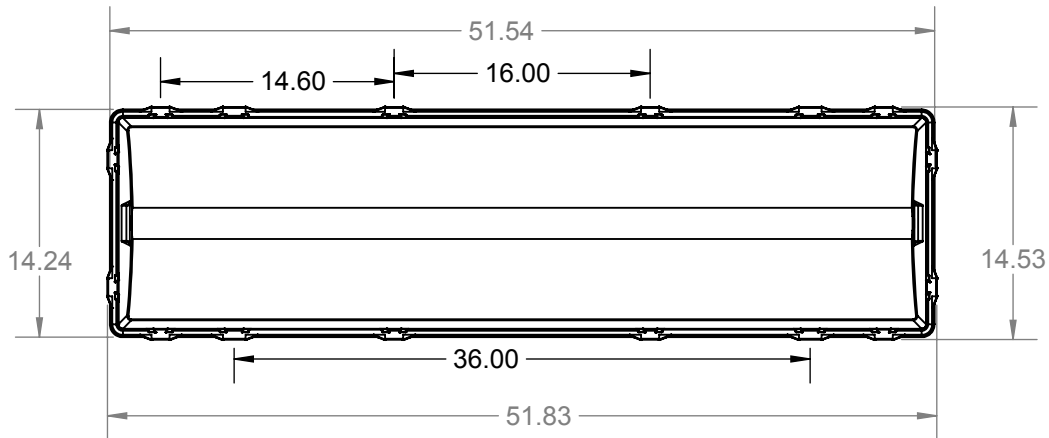
Page 2 of 12



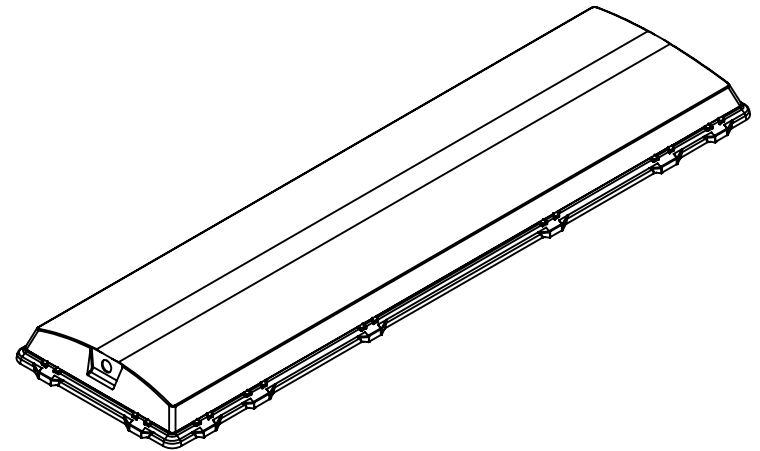
1400 South Old Highway 141
Fenton, MO. 63026
PH (636) 600-4084 FX (636) 600-4108
www.SLPlighting.com

HOUSING

CT4-HV5-2H



DETAIL A
SCALE 1 : 6



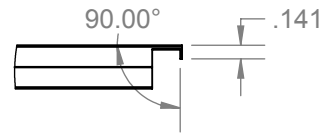
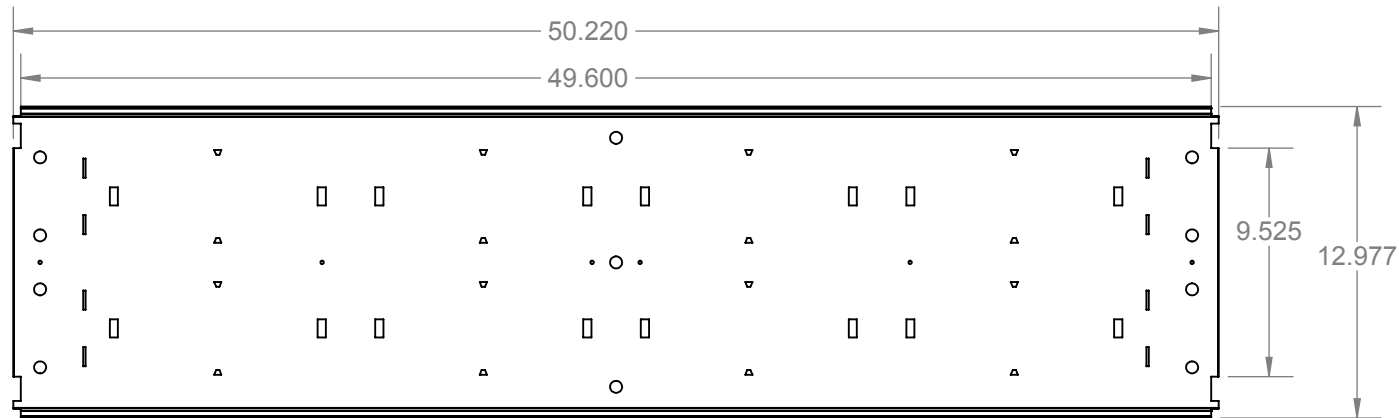
Citadel 4
Housing

Page 3 of 12

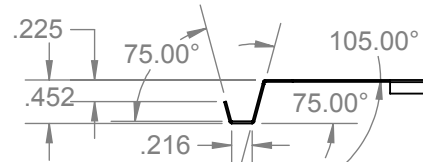


1400 South Old Highway 141
Fenton, MO. 63026
PH (636) 600-4084 FX (636) 600-4108
www.SLPlighting.com

BOARD TRAYS



DETAIL A
SCALE 1 : 2



DETAIL B
SCALE 1 : 2

PART NUMBER
CT4-LED-BT1-4R-095
CT4-LED-BT1-4R-160
CT4-LED-BT1-4R-190

Citadel 4/4i LED
BT1 Board Trays



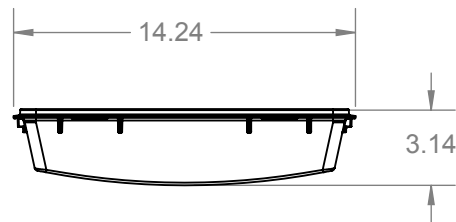
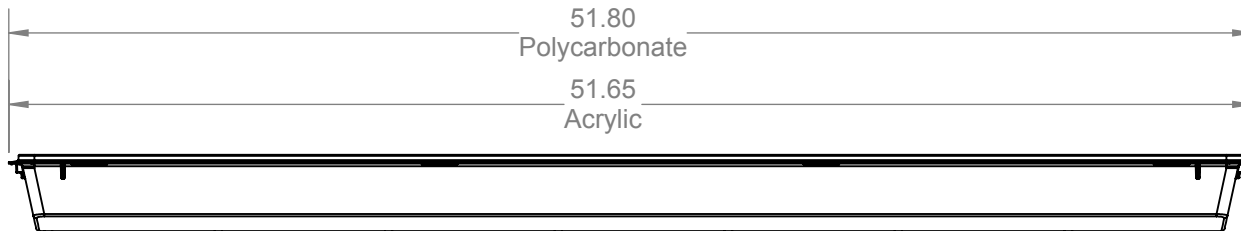
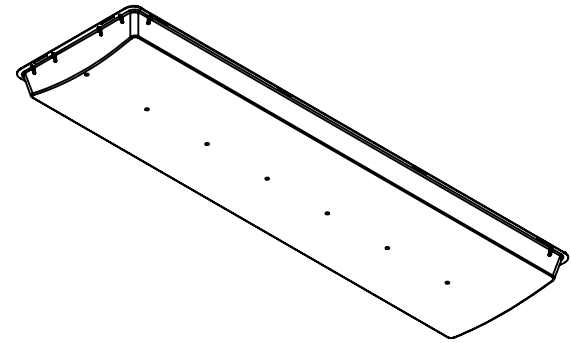
1400 South Old Highway 141
Fenton, MO. 63026
PH (636) 600-4084 FX (636) 600-4108
www.SLPighting.com

LENS AND DIFFUSERS

CT4-DP

CT4-DIRA

CT4-DIRA-FR50



DIRA is Impact Resistant Acrylic.
DP is Clear Polycarbonate

Citadel 4

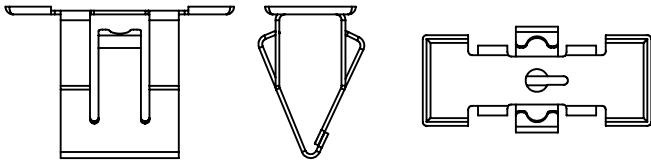
Lens and Diffusers

Page 4 of 12

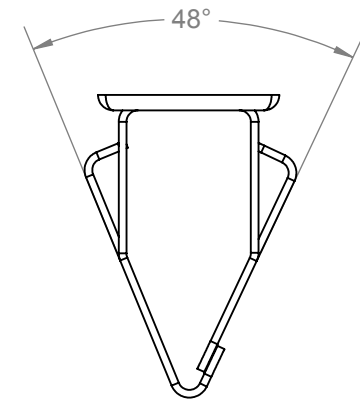
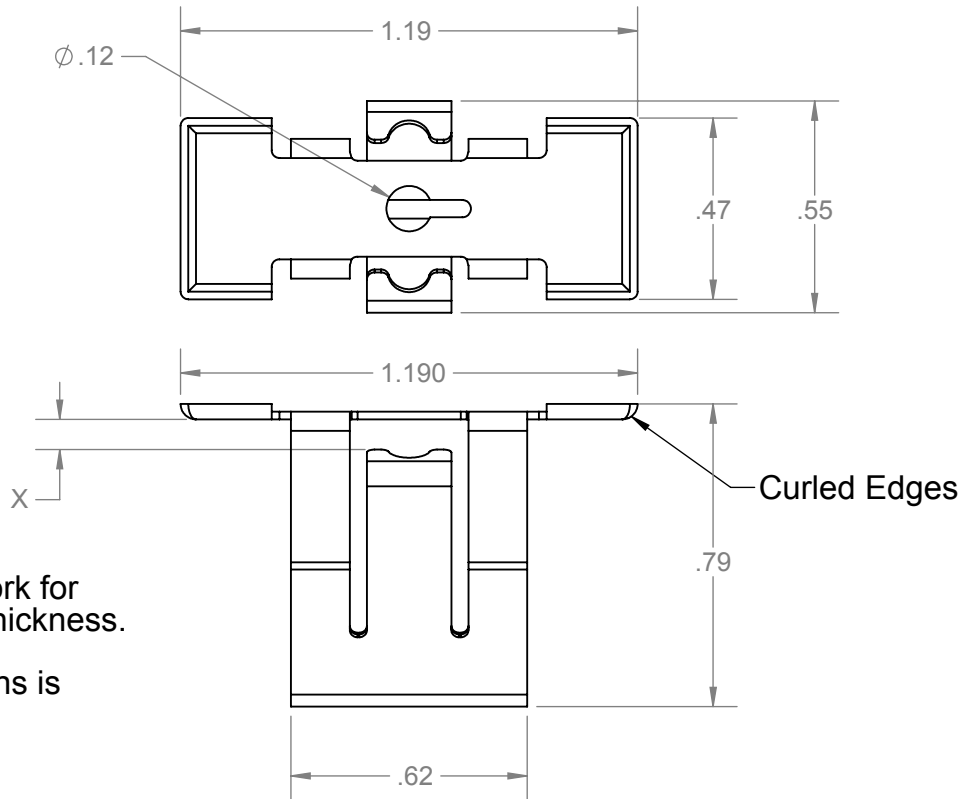


1400 South Old Highway 141
Fenton, MO. 63026
PH (636) 600-4084 FX (636) 600-4108
www.SLPlighting.com

ACTUAL SIZE: SCALE 1:1



REVISIONS			
REV.	DESCRIPTION	DATE	APPROVED
A	For Production	4.23.14	CSO



Clip designed to work for .060" to .084" overall thickness.

Cut Out Dimensions is .750" X .354"

UNLESS OTHERWISE SPECIFIED:

DIMENSIONS ARE IN INCHES
TOLERANCES AS NOTED
FRACTIONAL ± 1/16"
ANGULAR ± 1°
TWO PLACE DECIMAL ± .060
THREE PLACE DECIMAL ± .030

INTERPRET GEOMETRIC TOLERANCING PER:

	NAME	DATE
DRAWN	-	xx/xx/xx
CHECKED	-	xx/xx/xx
ENG APPR.	-	xx/xx/xx
MFG APPR.	-	xx/xx/xx
Q.A.	-	xx/xx/xx
COMMENTS:		
....		

The information contained in this document is the confidential property of Koller Enterprises Inc. This information is to be used by the recipient only for the purpose of which it has been provided by Koller. This document and any information contained therein may not be reproduced or made available to any third party without the written authorization of Koller. No tooling to produce the product which is the subject of this document can be made without written authorization from Koller. Recipient's acceptance of this document is an acknowledgement of agreement to these terms.

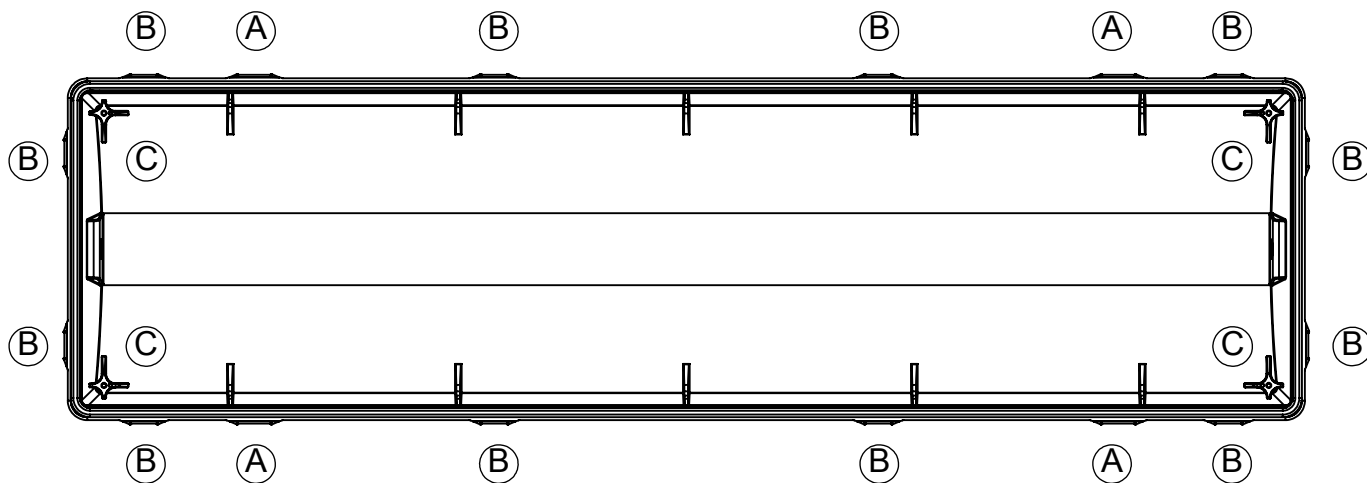


1400 South Old Highway 141
Fenton, MO. 63026

PH (636) 600-4084 FX (636) 600-4108
www.SLPlighting.com

Part Weight		CT-LED-BRC-SM Flat Board Tray Retention Clip		REV. A
Material	Spring Steel			
Finish	PS-7001	SIZE A	Scale 2:1	SHEET 1 OF 1
Drawn By:	CSO	DATE: 4/23/2014	DWG. No. CT-LED-BRC-SM	

HARDWARE LOCATIONS



A: MOUNTING BRACKET (Qty 4)
CT4-MB



B: LATCHES (QTY 12)
CT4-LATCHSS



C: GT RETAINER CLIP (QTY 4)
CT4-GTRC
CT SCREW (QTY 4)
CT-SCRW

Citadel 4

Hardware Locations

Page 7 of 12

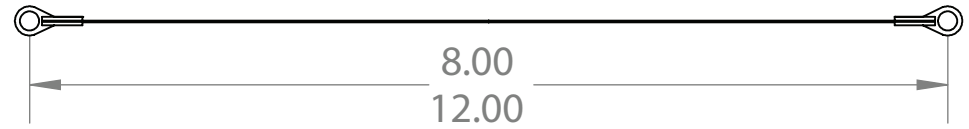


1400 South Old Highway 141
Fenton, MO. 63026
PH (636) 600-4084 FX (636) 600-4108
www.SLPlighting.com

TETHER INSTALLATION



CT-LT8 or CT-LT12



Each fixture requires two Lens Tethers.

Do not exceed 35 in. lbs of torque.
Excess torque will strip out the pilot hole
in the fiberglass housing.

Citadel 4

Tether Install

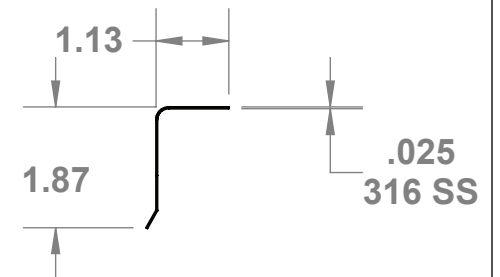
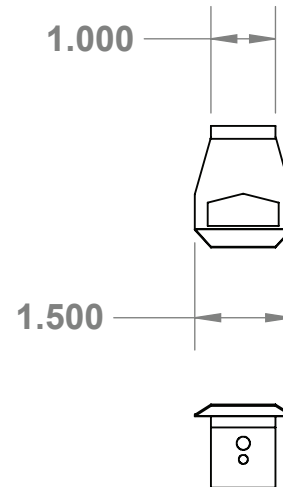
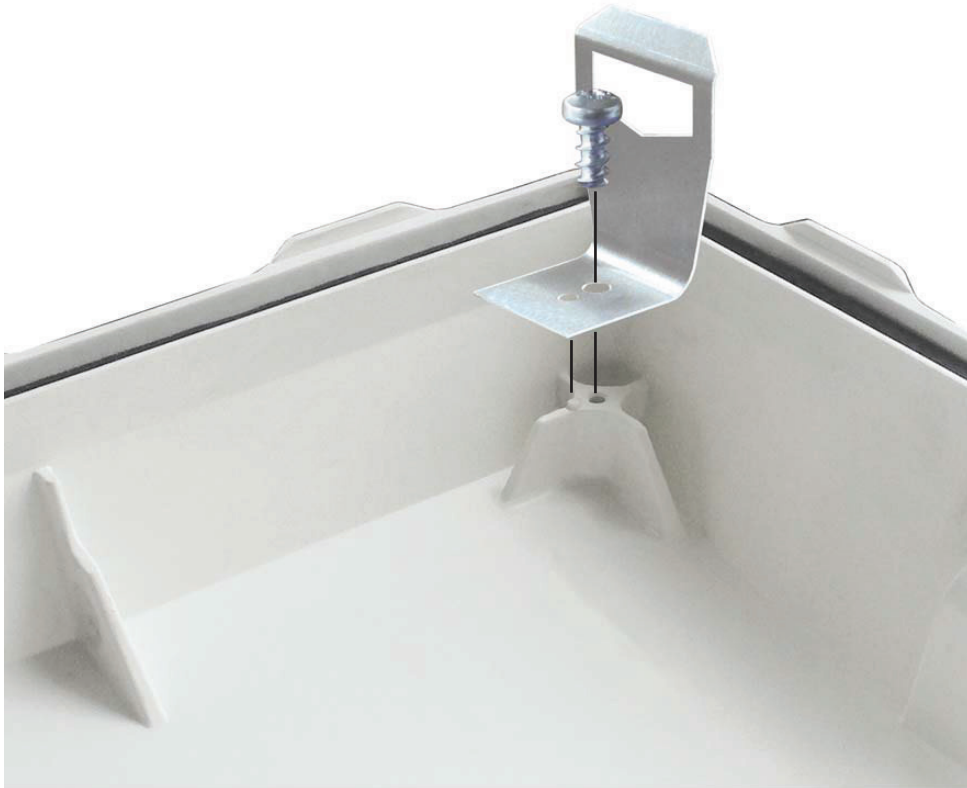
Page 9 of 12



1400 South Old Highway 141
Fenton, MO. 63026
PH (636) 600-4084 FX (636) 600-4108
www.SLPlighting.com

GTRC INSTALLATION

CT4-GTRC (.025" 316 SS)



Max Torque: 35 in lbs

Do not exceed 35 in lbs of torque. Excess torque will strip out the pilot hole in the fiberglass housing.

Citadel 4

GTRC Installation

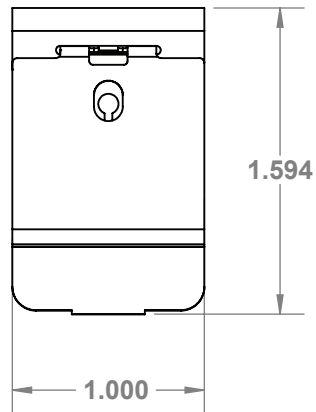
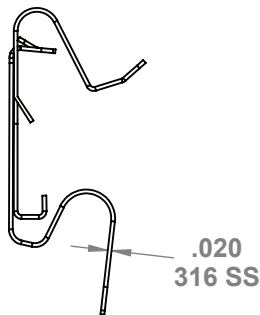
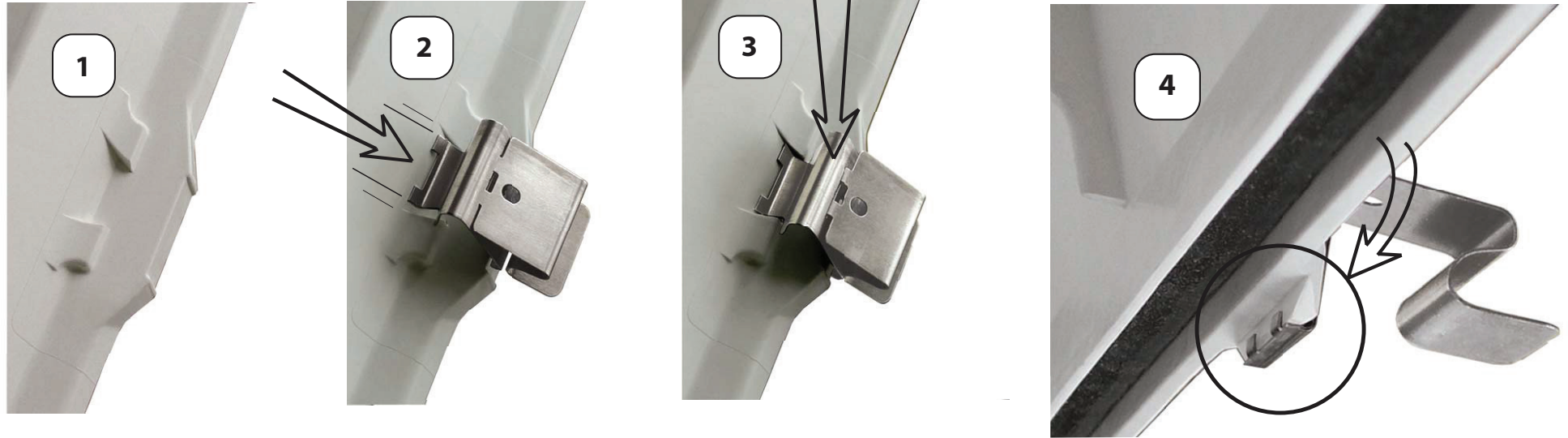
Page 10 of 12



1400 South Old Highway 141
Fenton, MO. 63026
PH (636) 600-4084 FX (636) 600-4108
www.SLPlighting.com

LATCH INSTALLATION

CT4-LATCHSS (.020" 316 SS)



Citadel 4
Latch Installation

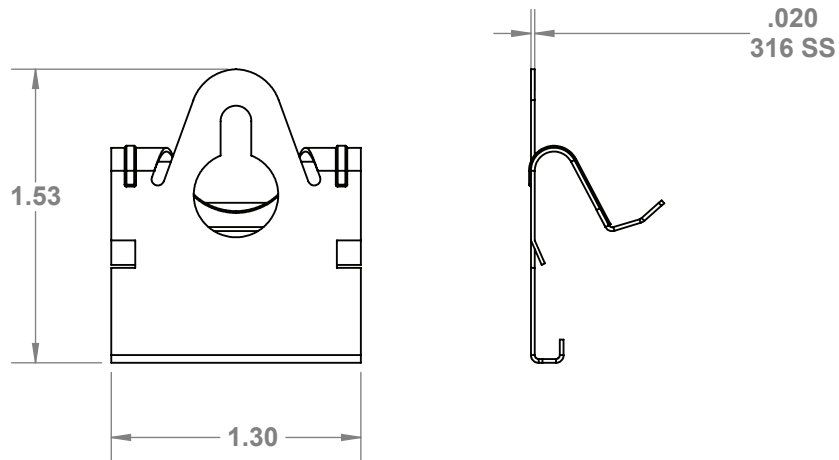
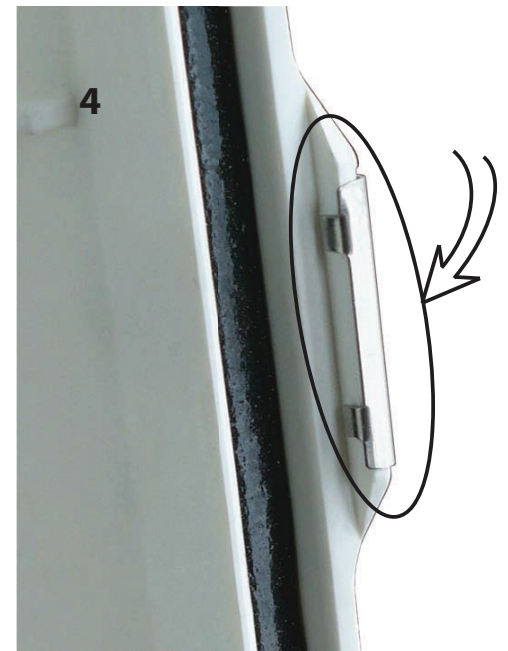
Page 11 of 12



1400 South Old Highway 141
Fenton, MO. 63026
PH (636) 600-4084 FX (636) 600-4108
www.SLPlighting.com

Hanger Bracket Installation

CT4-MB (.020" 316 SS)



Citadel 4
Hanger Bracket Install

Page 12 of 12



1400 South Old Highway 141
Fenton, MO. 63026
PH (636) 600-4084 FX (636) 600-4108
www.SLPlighting.com