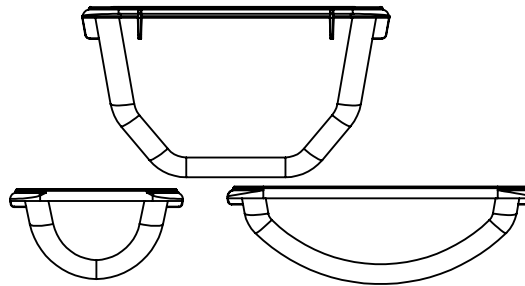


CT2 HOUSINGS

- CT2-HV5-1L4
- CT2-HV5-2L2
- CT2-HV5-2L4
- CT2-HV5-2L8



OPTICALLY CLEAR DIFFUSERS

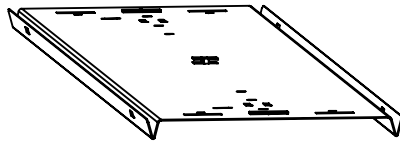
- CT2-LIRA-2L2
- CT2-LIRA-2L4
- CT2-LIRA-2L8
- CT2-CIRA-1L4
- CT2-CIRA-2L4



LINEAL RIBBED DIFFUSERS

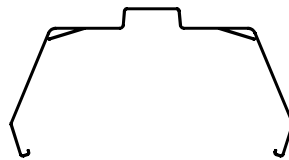
- CT2-DIRA-1L4
- CT2-DIRA-2L2
- CT2-DIRA-2L4
- CT2-DIRA-2L8

*All lens material variations use same model.
I.E. Acrylic/Polycarbonate/FR-50*



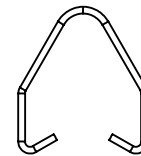
GEAR TRAYS

- CT2-GT-1L4-T5
- CT2-GT-1L4-U
- CT2-GT-2L2-U
- CT2-GT-2L4-T5
- CT2-GT-2L4-T8
- CT2-GT-2L4-U
- CT2-GT-2L4-T8HO
- CT2-GT-2L8-T5
- CT2-GT-2L8-T8
- CT2-GT-2L8-U
- CT2-GT-2L8-T8HO



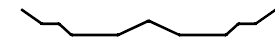
MOUNTING BRACKETS

- CT2-MB-1L
- CT2-MB-2L



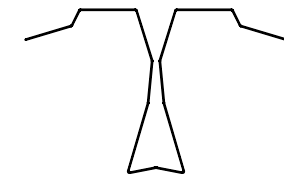
CHAIN HANG

- CT-BAIL



BASIC REFLECTOR

- CT2-RF-2L4-B



WIDE REFLECTOR

- CT2-RF-2L4-W

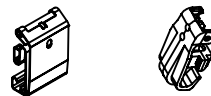


GT RC SCREW

- CT-SCRW

UNIVERSAL GEAR TRAY SCREW

- CT-SCRW-UGT



LATCHES

- CT2-LATCHSS
- CT2-LATCHC
- CT2-LATCHW



END PLUG

- CT-ENDPLUG-B



SAFETY STRAP

- CT-SST



LENS TETHER

- CT-LT8
- CT-LT12



GT RETAINER CLIP

- CT-RC

Citadel 2

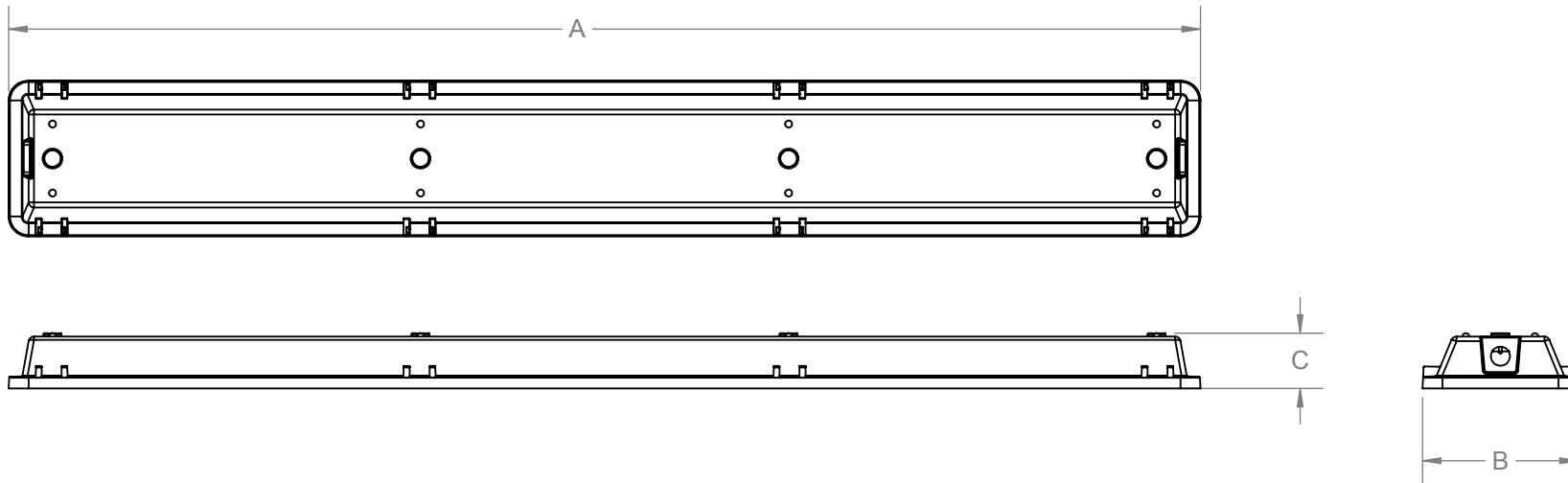
Parts List

Page 2



1400 South Old Highway 141
Fenton, MO. 63026
PH (636) 600-4084 FX (636) 600-4108
www.SLPlighting.com

HOUSINGS



PART	A	B	C	Material
CT2-HV5-1L4	51.6	4.02	2.24	5VA Fibergalss
CT2-HV5-2L2	27.7	6.77	2.24	5VA Fibergalss
CT2-HV5-2L4	51.7	6.77	2.24	5VA Fibergalss
CT2-HV5-2L8	100.0	6.77	2.24	5VA Fibergalss

Citadel 2

Housings

Page 2 of 10

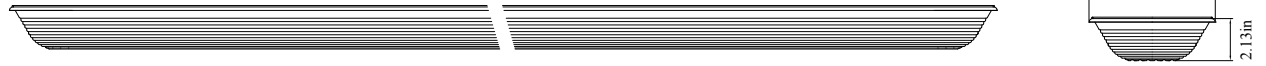


1400 South Old Highway 141
 Fenton, MO. 63026
 PH (636) 600-4084 FX (636) 600-4108
 www.SLPlighting.com

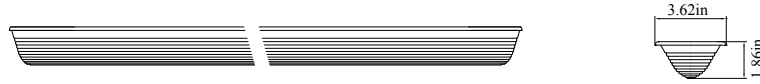


LINEAL RIBBED CLEAR & FROSTED DIFFUSERS

CT2-DP-2L4/CT2-DP-2L4-FR50 CT2-DIRA-2L4/CT2-DIRA-2L4-FR50 CT2-DIRA-2L8/CT2-DIRA-2L8-FR50



CT2-DP-1L4/CT2-DP-1L4-FR50 CT2-DIRA-1L4/CT2-DIRA-1L4-FR50

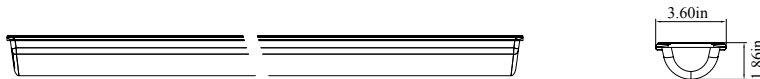


CT2-DP-2L2/CT2-DP-2L2-FR50 CT2-DIRA-2L2/CT2-DIRA-2L2-FR50



SHALLOW OPTICALLY CLEAR & FROSTED LENS

CT2-CIRA-2L4/CT2-CIRA-2L4-FR50 CT2-CP-2L4/CT2-CP-2L4-FR50



OPTICALLY CLEAR & FROSTED LENS

CT2-LIRA-2L2/CT2-LIRA-2L2-FR50 CT2-LIRA-2L4/CT2-LIRA-2L4-FR50 CT2-LIRA-2L8/CT2-LIRA-2L8-FR50



	Width	Nominal Length	Part Number	Available in Frosted	Injection Molded With Guardian Seal		Overall Dimensions (dimensions given in inches)		
					U.V. Stabilized Polycarbonate	Impact Resistant Acrylic	Width	Length	Depth
Lineal Ribbed Diffuser	Narrow (1 Light)	4'	CT2-DIRA-1L4	CT2-DIRA-1L4-FR50		+	3.62	51.26	1.86
			CT2-CIRA-1L4	CT2-CIRA-1L4-FR50		+	3.60	51.52	1.87
			CT2-DP-1L4	CT2-DP-1L4-FR50	+		3.62	51.26	1.86
			CT2-CP-1L4	CT2-CP-1L4-FR50	+		3.60	51.52	1.87
	Wide (2 Light)	2'	CT2-DP-2L2	CT2-DP-2L2-FR50	+		6.38	27.24	1.92
			CT2-DP-2L4	CT2-DP-2L4-FR50	+		6.40	51.37	2.13
			CT2-CP-2L4	CT2-CP-2L4-FR50	+		6.39	51.37	2.03
			CT2-DIRA-2L2	CT2-DIRA-2L2-FR50		+	6.38	27.24	2.13
	4'	CT2-DIRA-2L4	CT2-DIRA-2L4-FR50		+	6.40	51.37	2.13	
		CT2-CIRA-2L4	CT2-CIRA-2L4-FR50		+	6.39	51.37	2.03	
		CT2-DIRA-2L8	CT2-DIRA-2L8-FR50		+	6.40	99.50	2.13	
		Optically Clear Lens	Wide (2 Light)	2'	CT2-LIRA-2L2	CT2-LIRA-2L2-FR50		+	6.40
4'	CT2-LIRA-2L4	CT2-LIRA-2L4-FR50			+	6.40	51.37	3.50	
8'	CT2-LIRA-2L8	CT2-LIRA-2L8-FR50			+	6.40	99.50	3.50	



CITADEL 2 Lens and Diffusers

V08042015

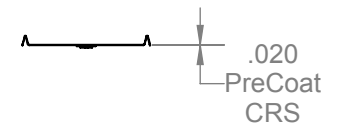
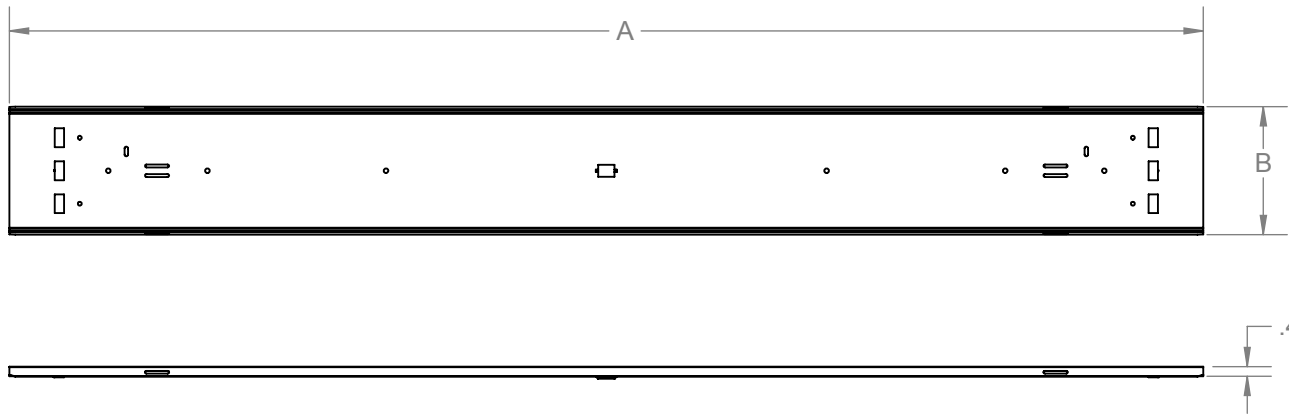
SLP Lighting

1400 South Old Highway 141, Fenton, MO 63026 USA
Tel. 636-600-4084 - Fax 636-600-4108

West Coast 16423 Berwyn Road, Cerritos, CA 90703 USA
Tel. 1-562-404-1440 - Fax 1-562-404-4711

All dimensions are given to our best knowledge and without obligation. We reserve the right to make changes to materials or design.

GEAR TRAYS



PART	A	B
CT2-GT-1L4-T5	49.75	2.68
CT2-GT-1L4-U	49.75	2.68
CT2-GT-2L2-U	25.75	5.34
CT2-GT-2L4-T5	49.75	5.34
CT2-GT-2L4-T8	49.75	5.34
CT2-GT-2L4-U	49.75	5.34
CT2-GT-2L4-T8HO	49.75	5.34
CT2-GT-2L8-T5	98.08	5.34
CT2-GT-2L8-T8	98.08	5.34
CT2-GT-2L8-U	98.08	5.34
CT2-GT-2L8-T8HO	98.09	5.34

Material: 0.020" Precoat CRS

Citadel 2

Gear Trays

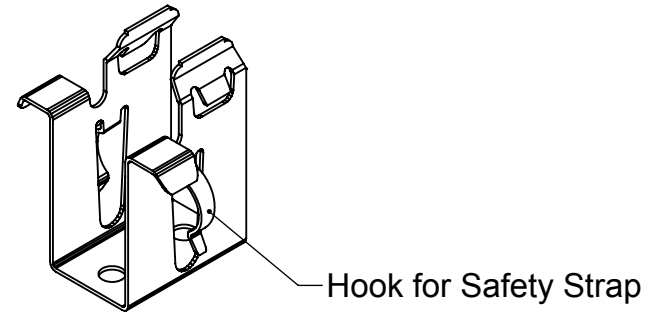
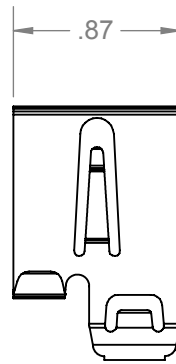
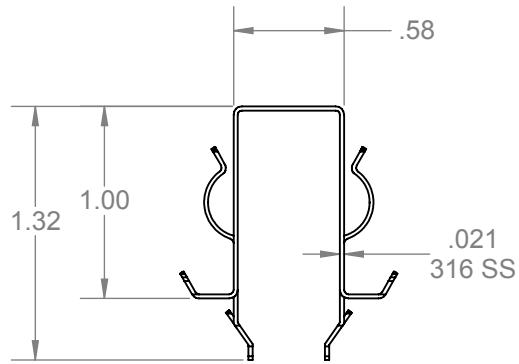
Page 4 of 10



1400 South Old Highway 141
 Fenton, MO. 63026
 PH (636) 600-4084 FX (636) 600-4108
 www.SLPlighting.com

RETAINER CLIP

CT-RC (.021" 316 SS)



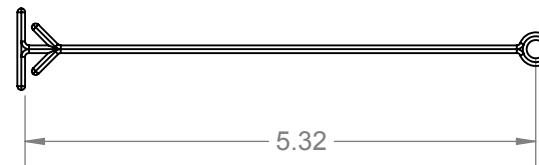
Required Accessory:

CT RC SCREW
 CT-SCRW (Hi-Lo 10-16 hex head)
 Max Torque : 35 in-lbs

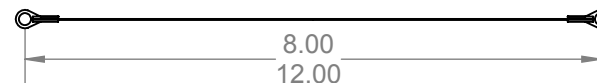


Optional Accessory:

SUPPORT STRAP
 CT-SST (Nylon)



LENS/GEAR TRAY TETHER
 CT-LT8 or CT-LT12 (304 SS)



Citadel 2

Retainer Clip

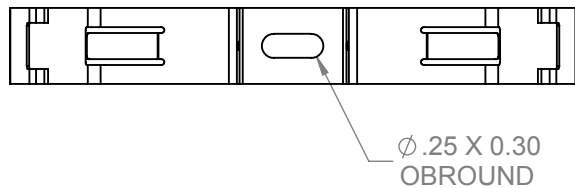
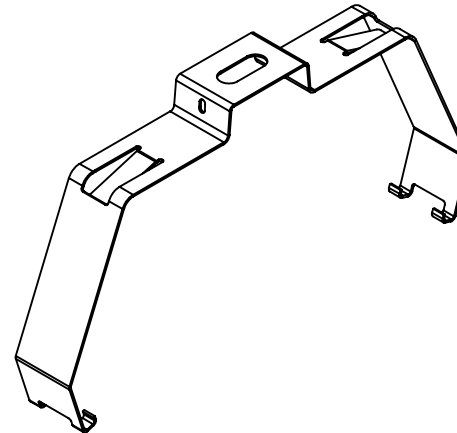
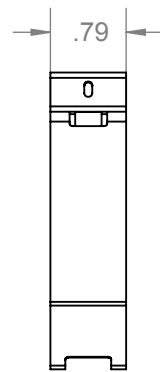
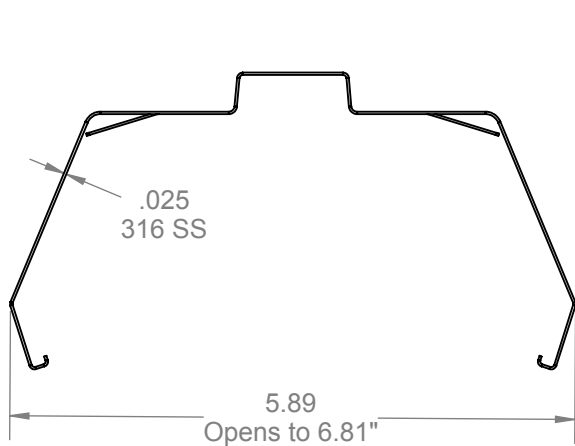
Page 5 of 10



1400 South Old Highway 141
 Fenton, MO. 63026
 PH (636) 600-4084 FX (636) 600-4108
 www.SLPlighting.com

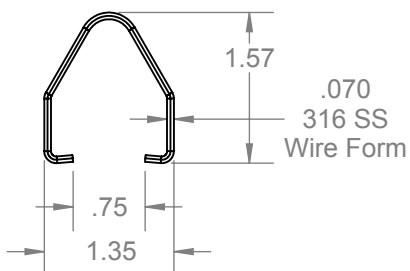
316 SS MOUNTING BRACKET

CT2-MB-2L (.025" 316 SS)



Optional Accessory:

CT BAIL



Citadel 2

Mounting Bracket

Page 6 of 10

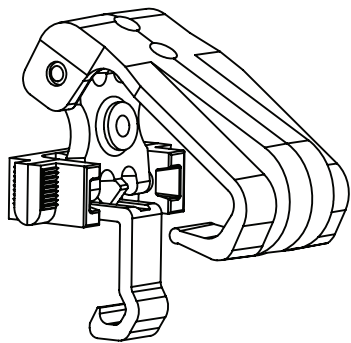


1400 South Old Highway 141
Fenton, MO. 63026
PH (636) 600-4084 FX (636) 600-4108
www.SLPlighting.com

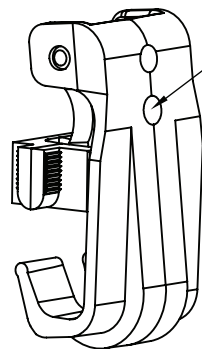
PLASTIC LATCH

CT2-LATCHC (Polycarbonate)

CT2-LATCHW (POM)

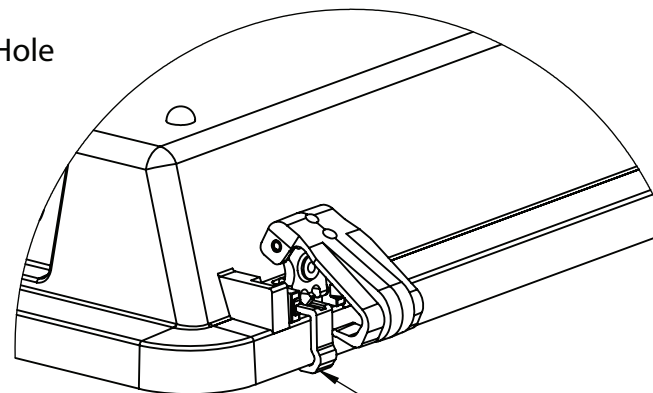


Opened



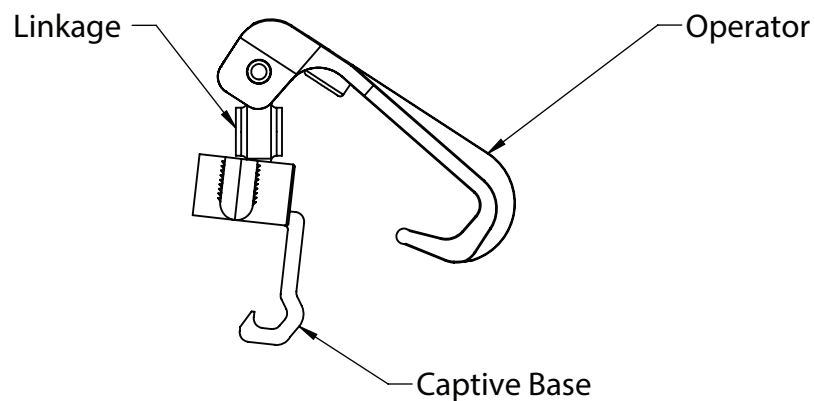
Closed

Tamper Proof Hole



Captive

The latches come fully assembled. Simply press the base into the latch pocket, and guide the captive base over the edge of the housing.
For Tamper Proofing use 6-1/2" sheet metal screw.



Citadel 2

Plastic Latch

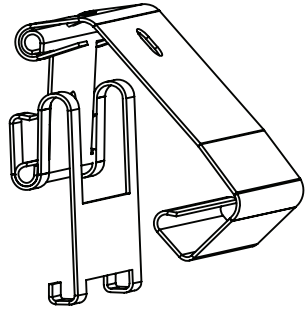
Page 7 of 10



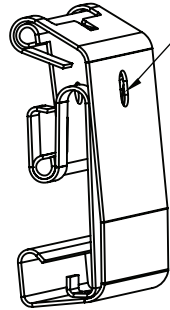
1400 South Old Highway 141
Fenton, MO. 63026

PH (636) 600-4084 FX (636) 600-4108
www.SLPlighting.com

316 SS LATCH CT2-LATCHSS

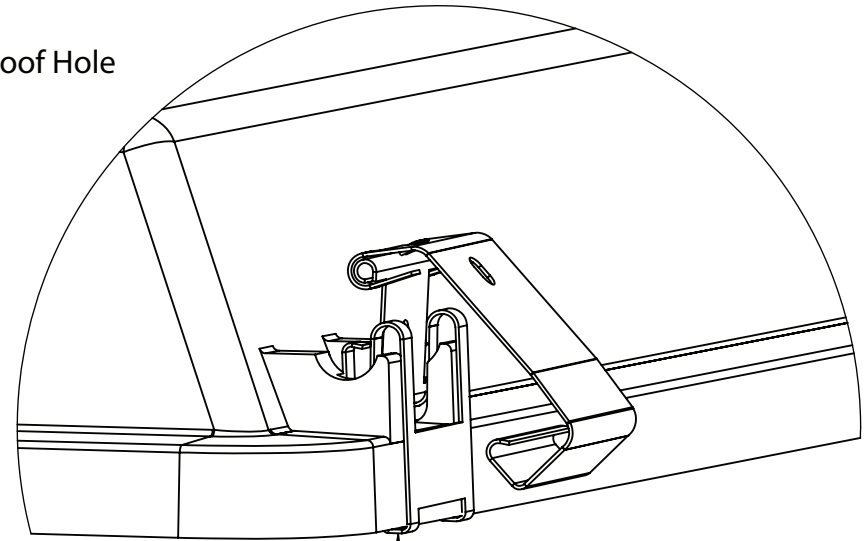


Opened



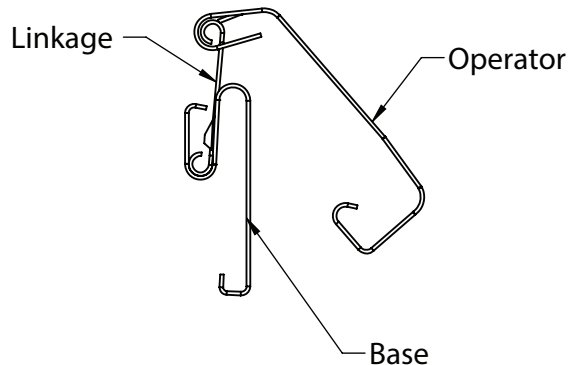
Closed

Tamper Proof Hole



Keeper Teeth go
over lip of CT Housing

- Simple and Secure
- 316 Stainless Steel
- Latch is mechanically secure to the housing and prevents accidental loss of latch during fixture maintenance.



The latches come full assembled. Simply press the base into the latch pockets on the housing, and slip the keeper teeth over the edge of the housing.

For Tamper proofing use a 6-3/4" sheet metal screw

Citadel 2

SS Latch

Page 8 of 10



1400 South Old Highway 141
Fenton, MO. 63026
PH (636) 600-4084 FX (636) 600-4108
www.SLPlighting.com

BASIC REFLECTOR

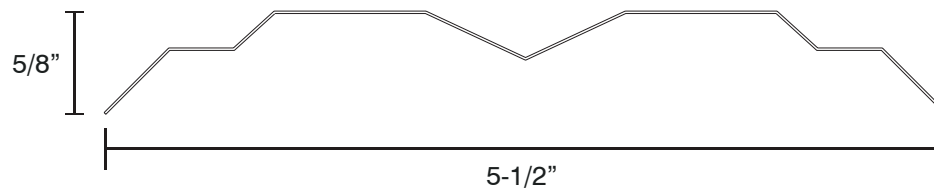
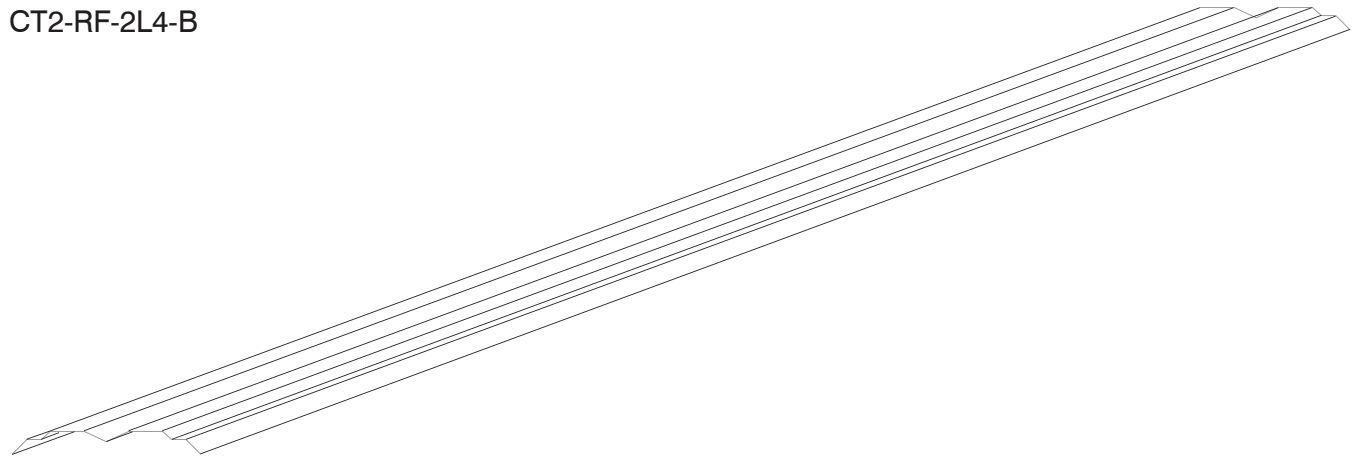
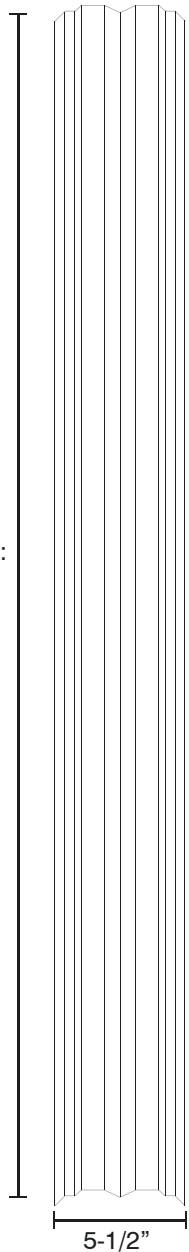
CT2-RF-2L4-B (Specular Aluminum)

The Citadel 2 Basic Reflector is designed for use with the DIRA Lineal Ribbed Lens or the New Optically Clear Lens.

Universal Length for T5 or T8 lamp configurations

Universal Basic Reflector:
Length- 44-1/2" Width 5-1/2"
Part #: CT2-RF-2L4-B

Universal:
44-1/2"



Citadel 2

Basic Reflector

Page 9 of 10



1400 South Old Highway 141
Fenton, MO. 63026
PH (636) 600-4084 FX (636) 600-4108
www.SLPlighting.com

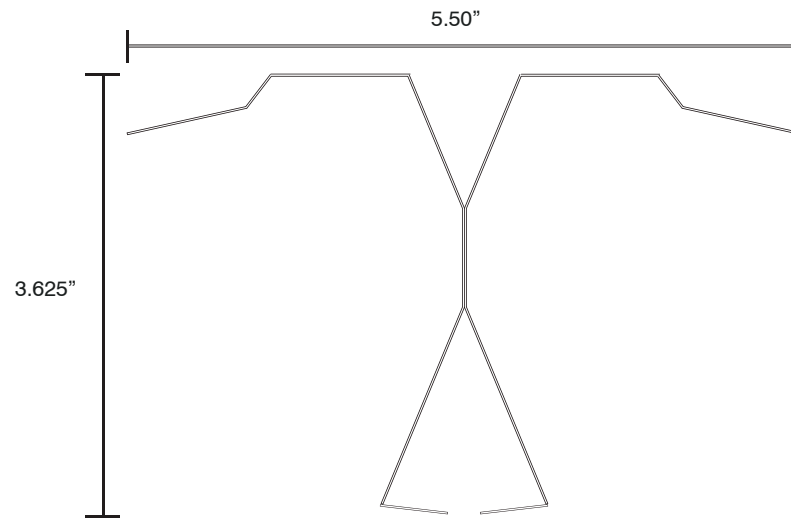
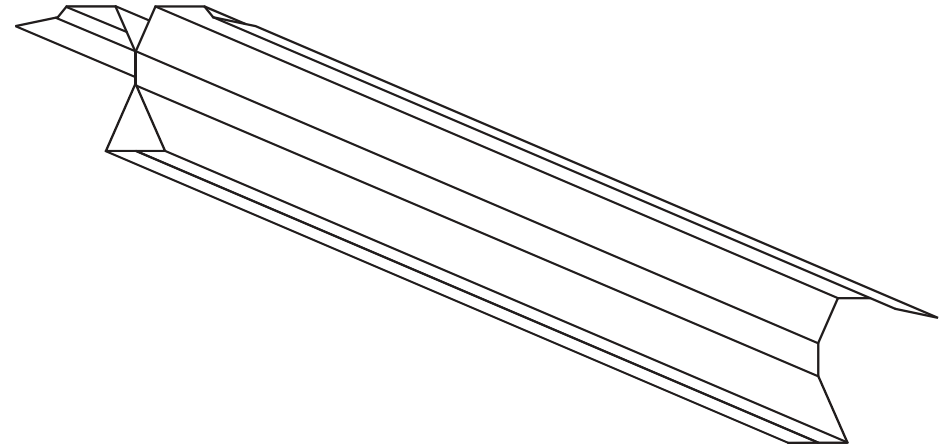
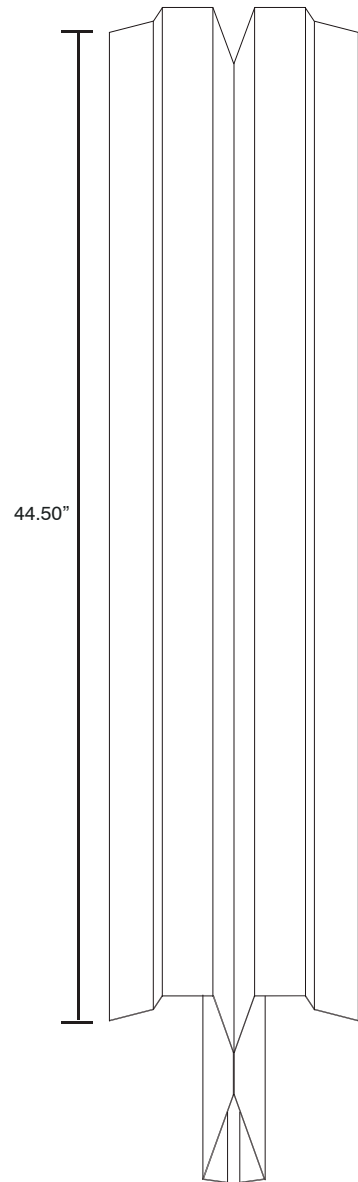
WIDE REFLECTOR

CT2-RF-2L4-W (Specular Aluminum)

CITADEL 2 Wide Distribution Reflector is designed for use with the LIRA Lens.

Universal Length for T5 or T8 lamp configurations

Wide Distribution Reflector:
Length - 44.5" Width - 5.50"
Part #: CT2-RF-2L4-W



Citadel 2
Wide Reflector

Page 10 of 10



1400 South Old Highway 141
Fenton, MO. 63026
PH (636) 600-4084 FX (636) 600-4108
www.SLPlighting.com