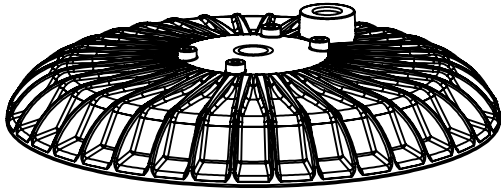


CircLED with Shroud *Standard* Parts



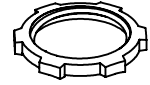
Housing

- CLD-TCP-18LH
(1 per Fixture)



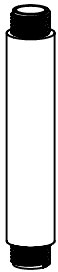
Threaded Center Post

- CLD-CTR-PST
(1 per Fixture)



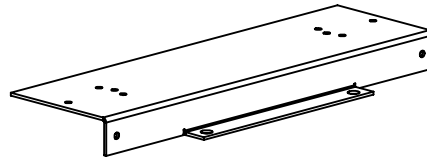
3/4" Conduit Locknut

- SLP-SLN75
(2 per Fixture)



Shroud Attach Rod

- CLD-SHRD-ROD
(1 per Fixture)



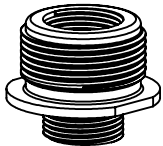
Shroud Driver Plate

- CLD-SHRD-DP
(2 per Fixture)



Driver Plate Screw

- CLD-SEMS-10-24
(4 per Fixture)



Shroud Hub

- CLD-HUB-SHRD
(1 per Fixture)



Lens Gasket

- CLD-LENS-GSKT
(1 per Fixture)



Lens

- CLD-P95-118-16.375 (Frosted Acrylic)
Or
- CLD-SH-CA-118-16.375 (Clear Acrylic)
Or
- CLD-TFK-LV3-118-16.375 (Frosted PC)
Or
- CLD-TFK-LF-118-16.375 (Clear PC)
(1 per Fixture)



#8 Thread Cutting Screw

- SLP-SCRW-TC8312
(6 per Fixture)



Lens Retainer Screw

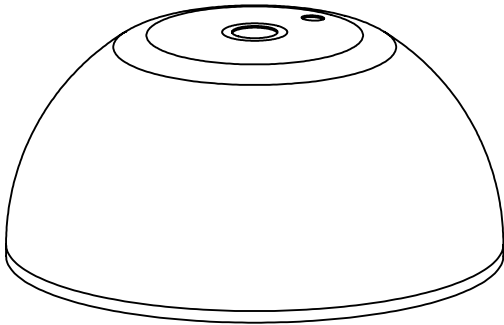
- CLD-TLSCRW-832-375
(9 per Fixture)

CLD-SHRD-AG 12/20



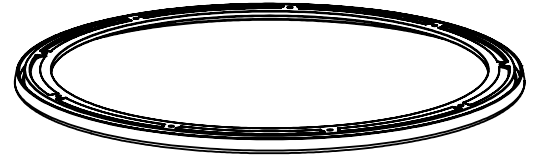
CircLED with Shroud *Standard* Parts

(Continued)



Shroud

- CLD-SPN-SHRD-PW
(1 per Fixture)



Shroud Ring

- CLD-SHRD-RNG-PIP
(1 per Fixture)



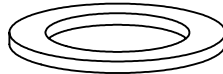
Ground Lead

- SLP-GL-22-1050
(1 per Fixture)



Hub Washer

- CLD-HUB-WSHR
(1 per Fixture)



Shroud Gasket

- CLD-GSKT-HUB
(2 per Fixture)



1 1/4" Conduit Locknut

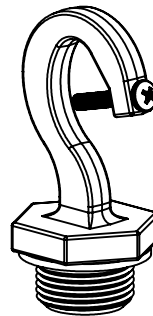
- CLD-SLN-125
(1 per Fixture)

CircLED with Shroud *Optional* Parts



White Wall Diffuse Reflector

- CLD-WW-DR
(1 per Fixture)



Stainless Hook

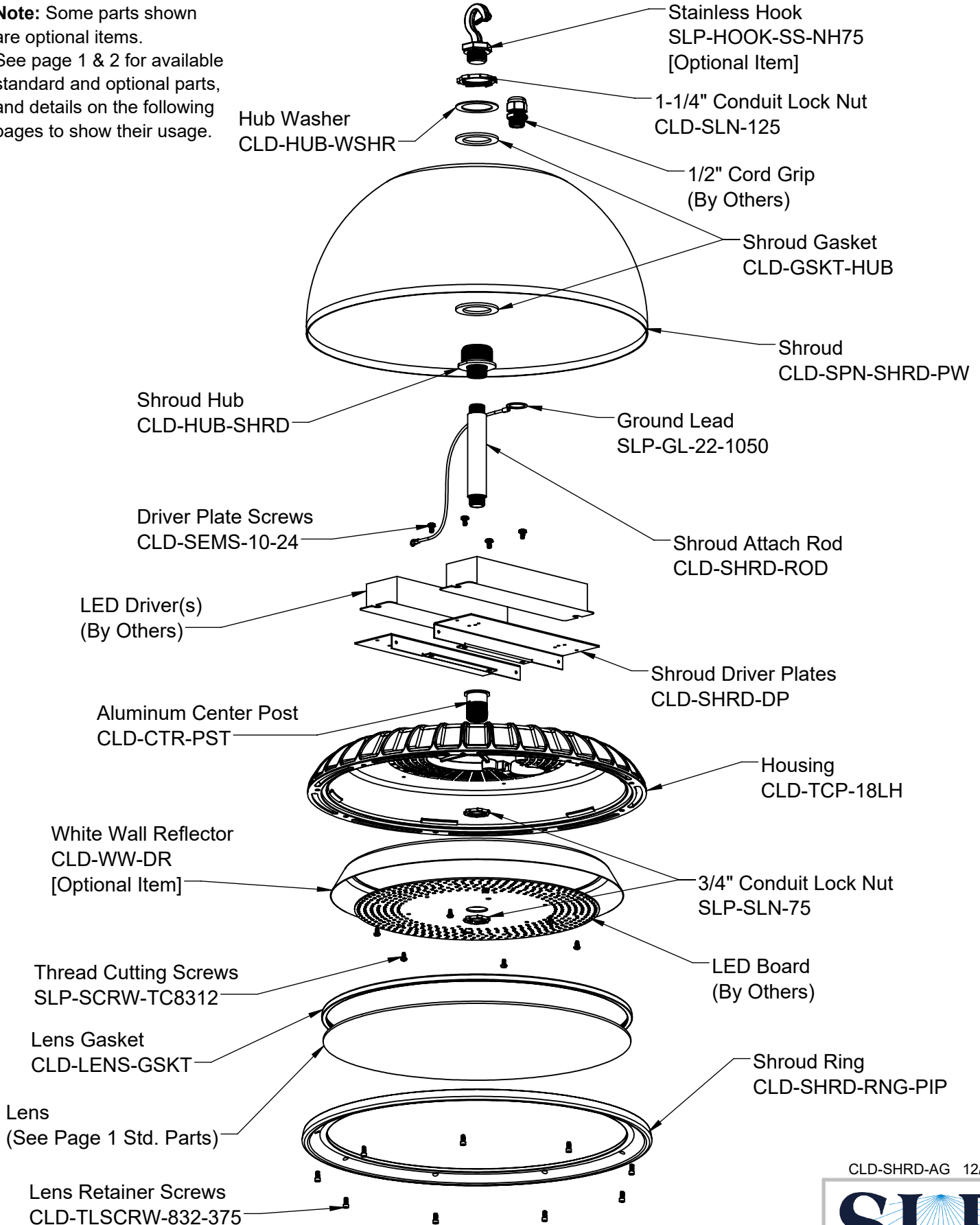
- SLP-HOOK-SS-NH75
(1 per Fixture)

CLD-SHRD-AG 12/20



CircLED with Shroud Exploded view

Note: Some parts shown are optional items. See page 1 & 2 for available standard and optional parts, and details on the following pages to show their usage.

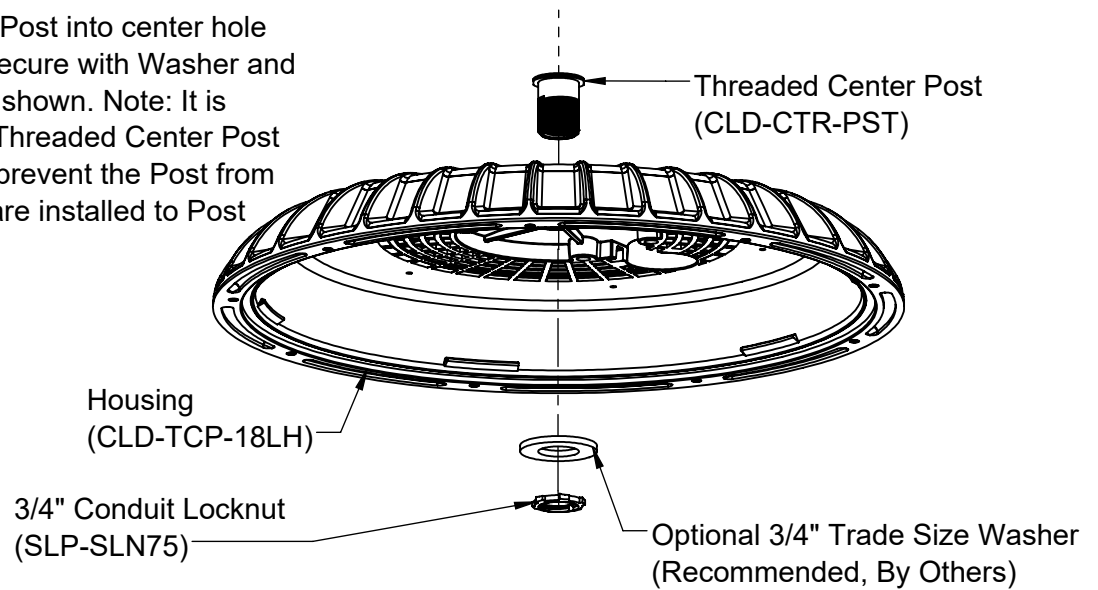


CLD-SHRD-AG 12/20



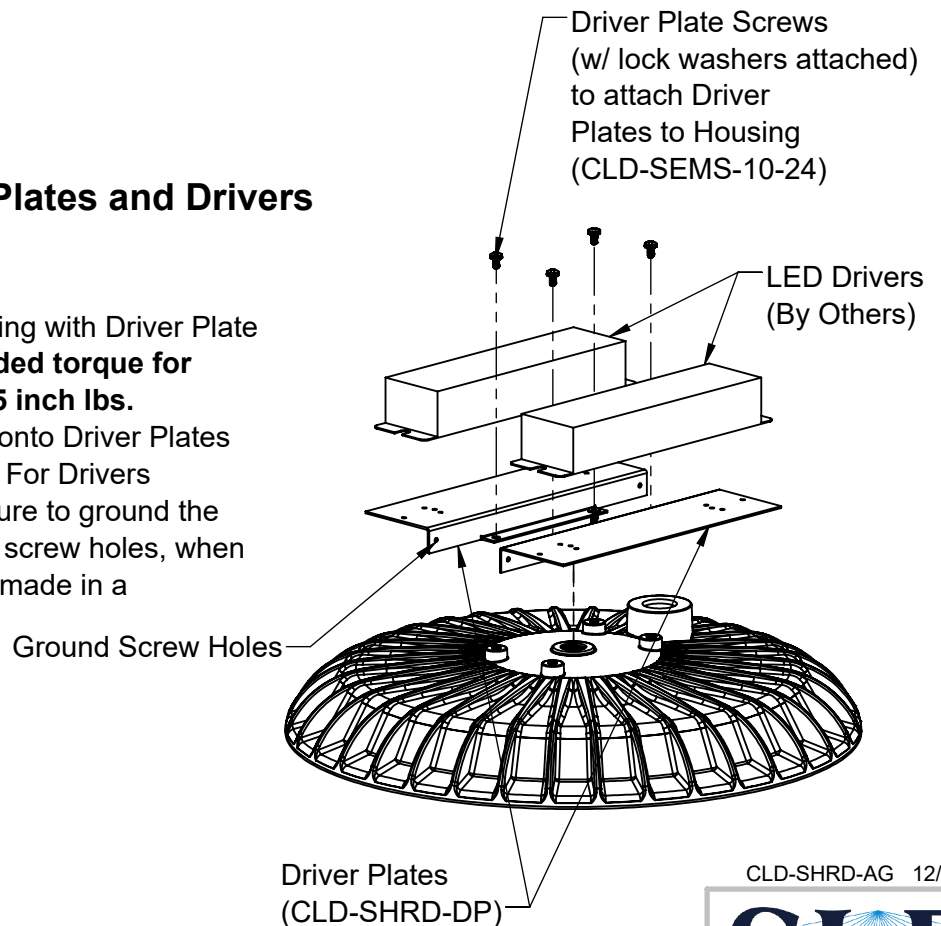
STEP 1: Installing the Threaded Center Post to Housing

- 1.1) Install Threaded Center Post into center hole of Housing, and tightly secure with Washer and 3/4" Conduit Locknut as shown. Note: It is important to secure the Threaded Center Post as tightly as possible to prevent the Post from spinning as other parts are installed to Post in subsequent steps.

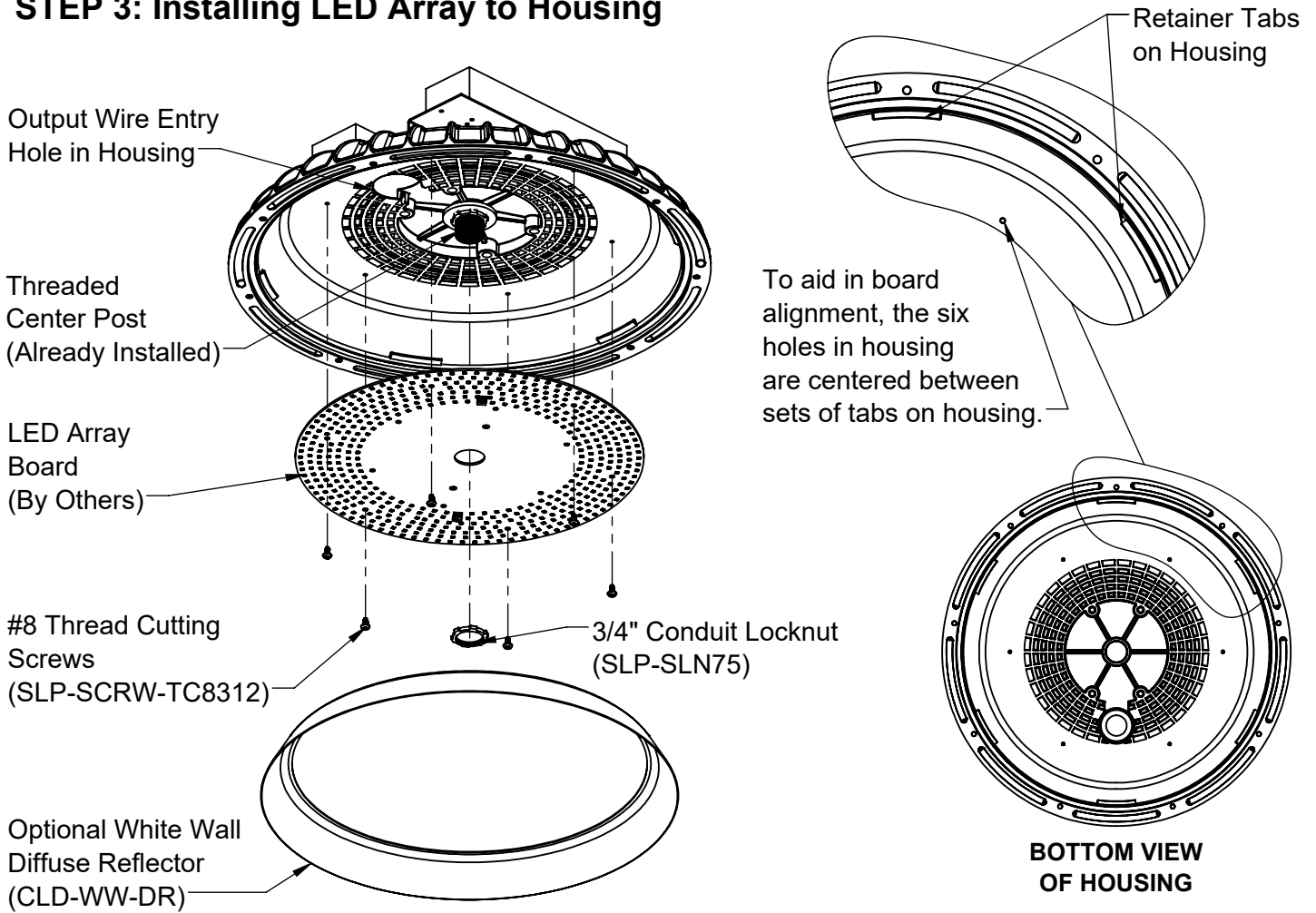


STEP 2: Installing Driver Plates and Drivers

- 2.1) Install Driver Plates onto Housing with Driver Plate Screws provided. **Recommended torque for Driver Plate Screws is 50 - 55 inch lbs.**
- 2.2) Install Driver(s) (not provided) onto Driver Plates using fasteners (not provided). For Drivers requiring case grounding, be sure to ground the Driver Plates using the ground screw holes, when the input wire connections are made in a subsequent step.



STEP 3: Installing LED Array to Housing

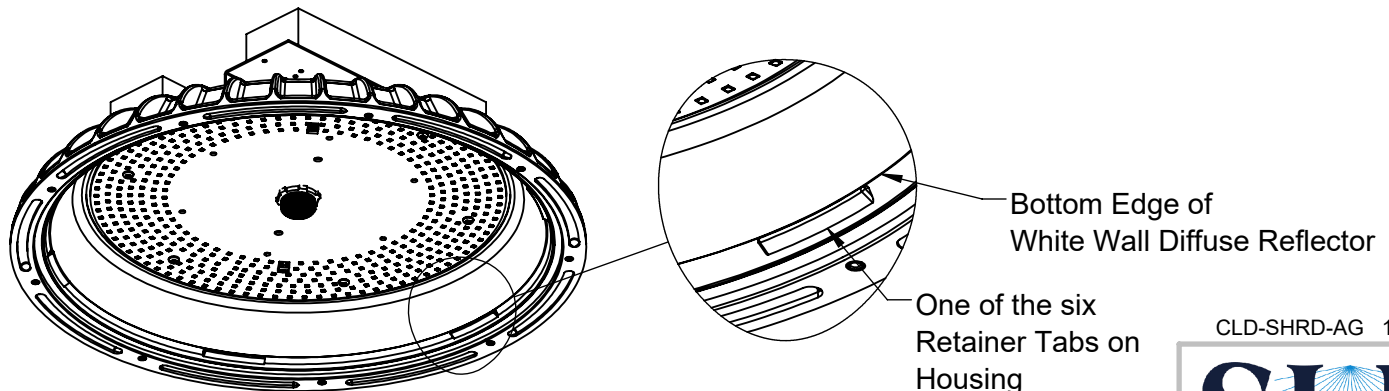


3.1) Make wire connections from Driver output to connectors of LED Array. Output wires can be ran into the housing from the Output Wire Entry Hole in Housing.

3.2) For an LED board similar as shown above, align center hole of board to Threaded Center Post (already installed), and secure with Locknut. Use #8 Thread Cutting Screws to secure the Array board to the six holes in housing.

Recommended maximum torque for screws is 6 in/lbs. Do not overtighten or use screws longer than required. For a 2mm (.079") thick LED Board, a maximum length of 5/16" (.313") screws to be used.

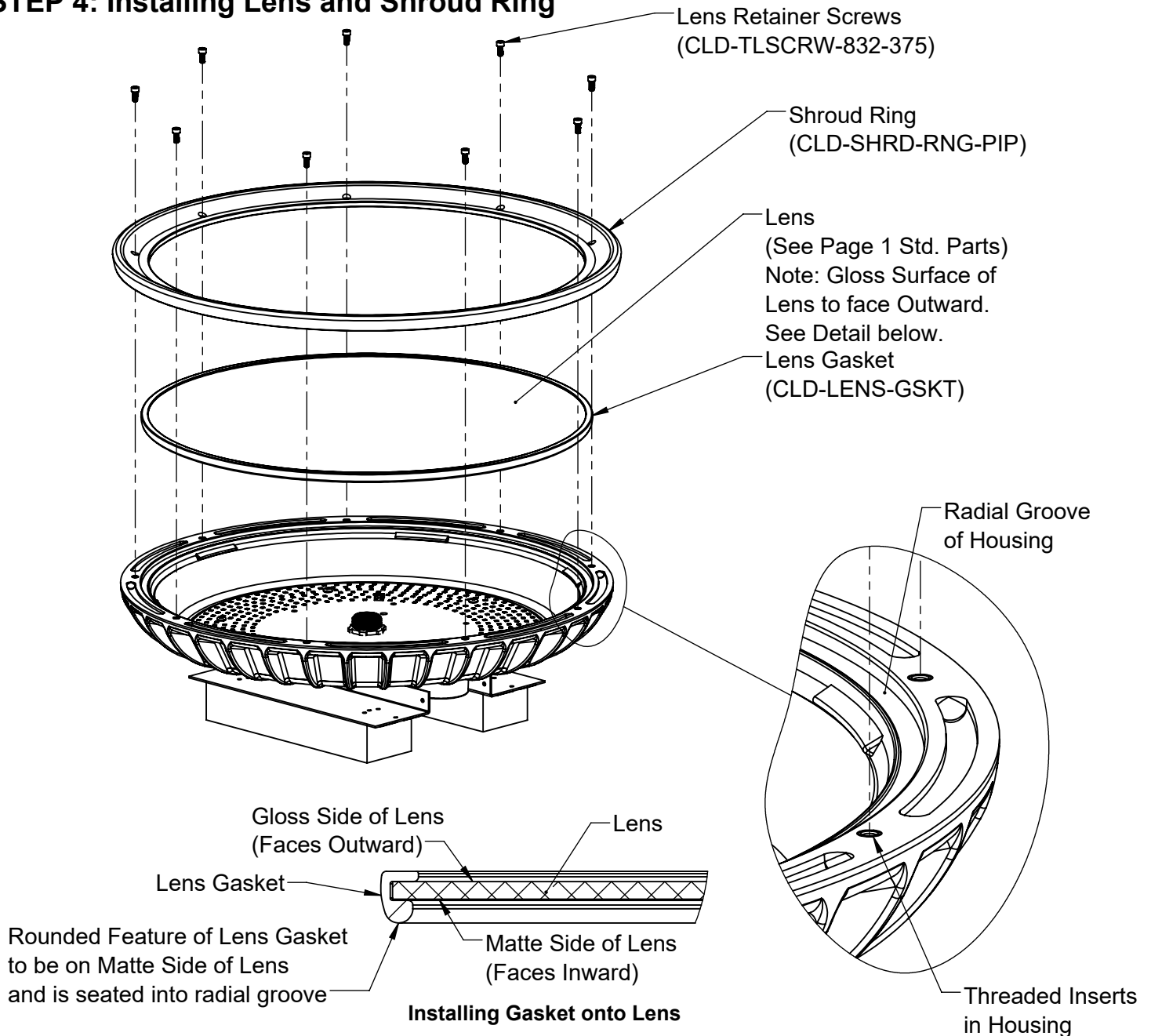
3.3) Install optional White Wall Diffuse Reflector into housing by simply inserting into bottom of housing. Verify that Reflector is fully seated above the 6 retainer tabs of housing.



CLD-SHRD-AG 12/20

SLP
LIGHTING
A KOLLER ENTERPRISES COMPANY

STEP 4: Installing Lens and Shroud Ring

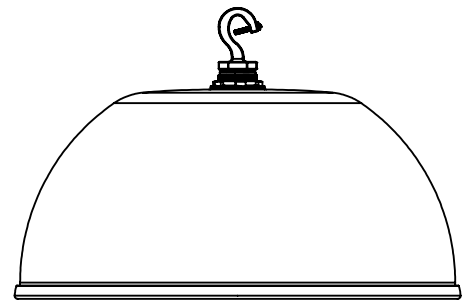
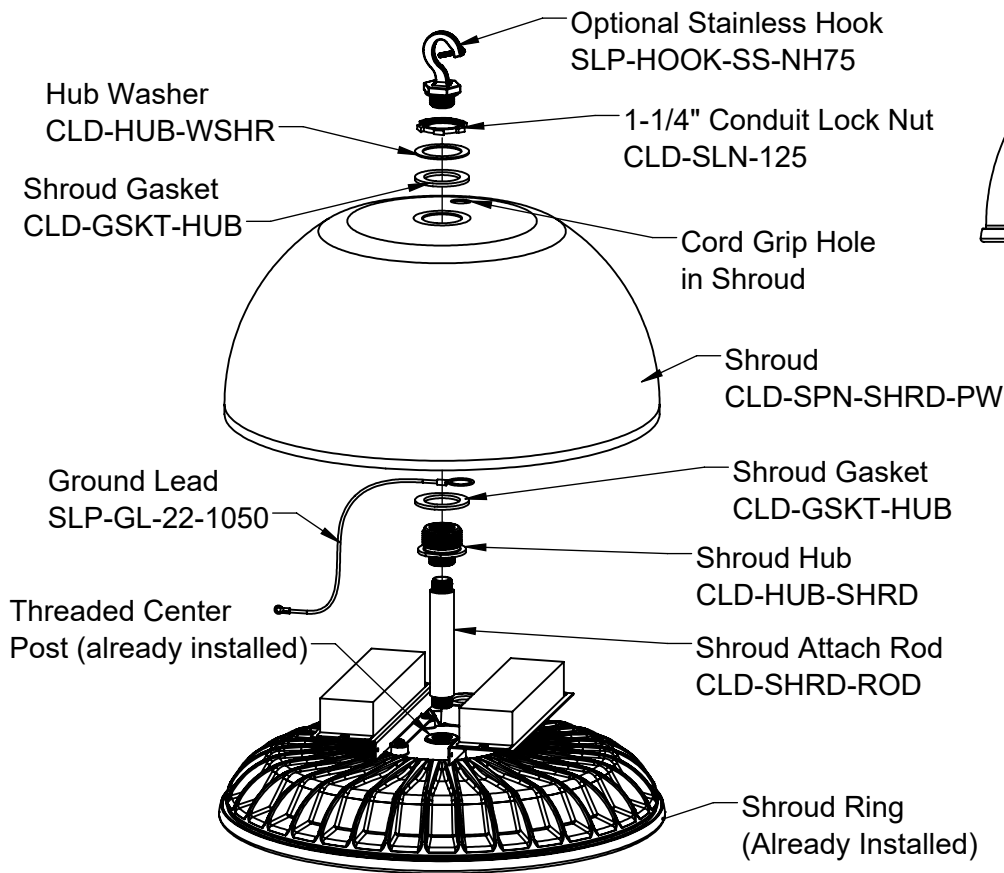


- 4.1) Turn the fixture over with bottom side facing up. Remove the backing paper/film masking from both sides of lens.
- 4.2) Install Lens Gasket onto Lens, by stretching and fitting gasket over the outer perimeter of lens. Note that the side of gasket with the rounded feature must be installed onto the Matte side of Lens, as shown in the details.
- 4.3) With fixture still upside down, install Lens with Lens Gasket into cavity of housing. When installed properly, Lens and Lens Gasket will seat inside housing, with rounded feature of gasket inside the radial groove of housing.
- 4.4) Align holes of Shroud Ring to the Threaded Inserts already installed in housing, and secure with 9 Lens Retainer Screws. **Recommended screw torque is 20 inch lbs.** Do not overtighten. Note: Lens Retainer Screws require a 9/64" hex key.
Note: To comply with NSF Listing requirements for use in a splash zone, the nine Lens Retainer Screws must be capped or filled.

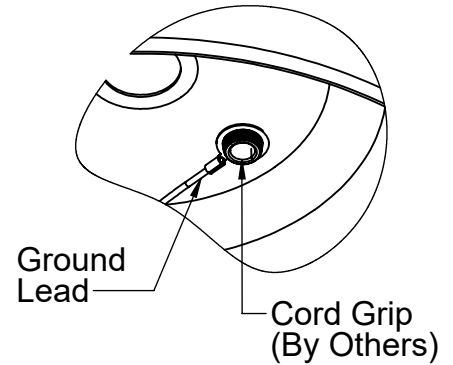
CLD-SHRD-AG 12/20



STEP 5: Installing Shroud Hub and Shroud



Completed Fixture
(Wiring not shown)



Ground Lead Detail
(Conduit Locknut not shown)

- 5.1 Fully screw Shroud Attach Rod into threaded hole of Threaded Center Post, using Loctite or other similar thread adhesive (not provided) to prevent it from unscrewing.
- 5.2 Fully screw Shroud Hub onto other end of Shroud Attach Rod, again using thread adhesive. Verify that Shroud Attach Rod is fully screwed in (bottomed out) onto both parts.
- 5.3 Install one Shroud Gasket onto Shroud Hub, prior to placing Shroud onto fixture. Make sure that Shroud Gasket is fully installed, situated right above flange of Shroud Hub.
- 5.4 Wire driver input(s) to a 3 conductor cord, using a 1/2" Cord Grip mounted to the Cord Grip Hole. The input ground lead must be grounded to both Driver Plates. The Shroud must also be grounded, using the provided Ground Lead. The large ring terminal of Ground Lead is inserted onto the male threaded stud of the cord grip, and followed up with a 1/2" conduit locknut (See Ground Lead Detail). The smaller ground lead terminal is to be screwed down to an available hole on one of the Driver Plates. Also, the center hole of Shroud Hub must be sealed with a hook, eyelet, or other mounting means, which prevents water ingress into fixture. Failure to seal both holes voids all warranties.
- 5.5 Install Shroud onto fixture, **making sure that bottom edge of Shroud is fully seated into gasket channel of Shroud Ring.**
- 5.6 Install a second Shroud Gasket onto Shroud Hub, working it down the outer threads of Shroud Hub, and positioned on top surface of Shroud.
- 5.7 Install Hub Washer and then fully tighten Shroud down using 1-1/4" Conduit Lock Nut. Verify that Shroud is pressing down into gasket of Shroud Ring. There should be no play in the Shroud.
- 5.8 Attach Optional Stainless hook or eyelet (not provided) onto Shroud Hub, and verify that the hole is sealed. **Note:** To comply with NSF Listing requirements for use in a splash zone, the Stainless Hook Security Screw threads must be capped or filled.
- 5.9 Test Fixture, and package for shipment.

CLD-SHRD-AG 12/20

