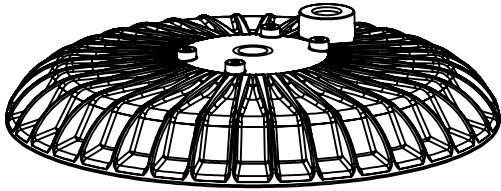
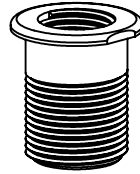


# CircLED RD Standard and Optional Parts



## Housing

- CLD-TCP-18LH  
(1 per Fixture)



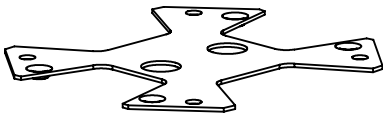
## Threaded Center Post

- CLD-CTR-PST  
(1 per Fixture)



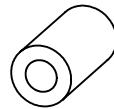
## Liquid Tight Plug

- SLP-LTP-50  
(1 per Fixture)



## Adapter Plate

- CLD-RD-DRVR-PLT  
(1 per Fixture)



## Standoff Spacers

- CLD-STDF-L1  
(4 per Fixture)



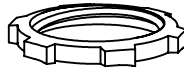
## Standoff Screws

- SLP-SCRW-FH10150  
(4 per Fixture)



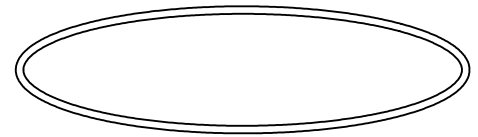
## #8 Thread Cutting Screw

- SLP-SCRW-TC8312  
(6 per Fixture)



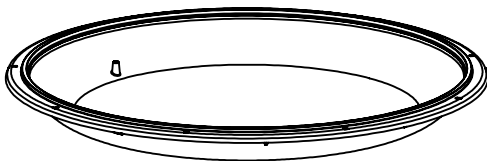
## 3/4" Conduit Locknut

- SLP-SLN75  
(2 per Fixture)



## Drop Lens Gasket

- CLD-DPLENS-GSKT  
(1 per Fixture)



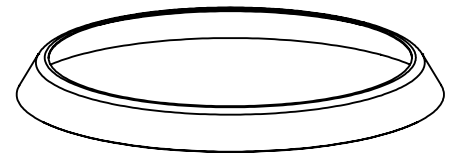
## Drop Lens

- CTR-LENS-18-V0  
OR  
 CTR-LENS-18-V0-FR50  
(1 per Fixture)  
*(Optional Flat Lens Kit Available. Consult SLP)*



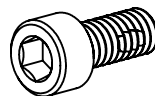
## O Ring

- SLP-ORING  
(1 per Fixture)



## [ *Optional* ] White Wall Diffuse Reflector

- CLD-WW-DR  
(1 per Fixture)

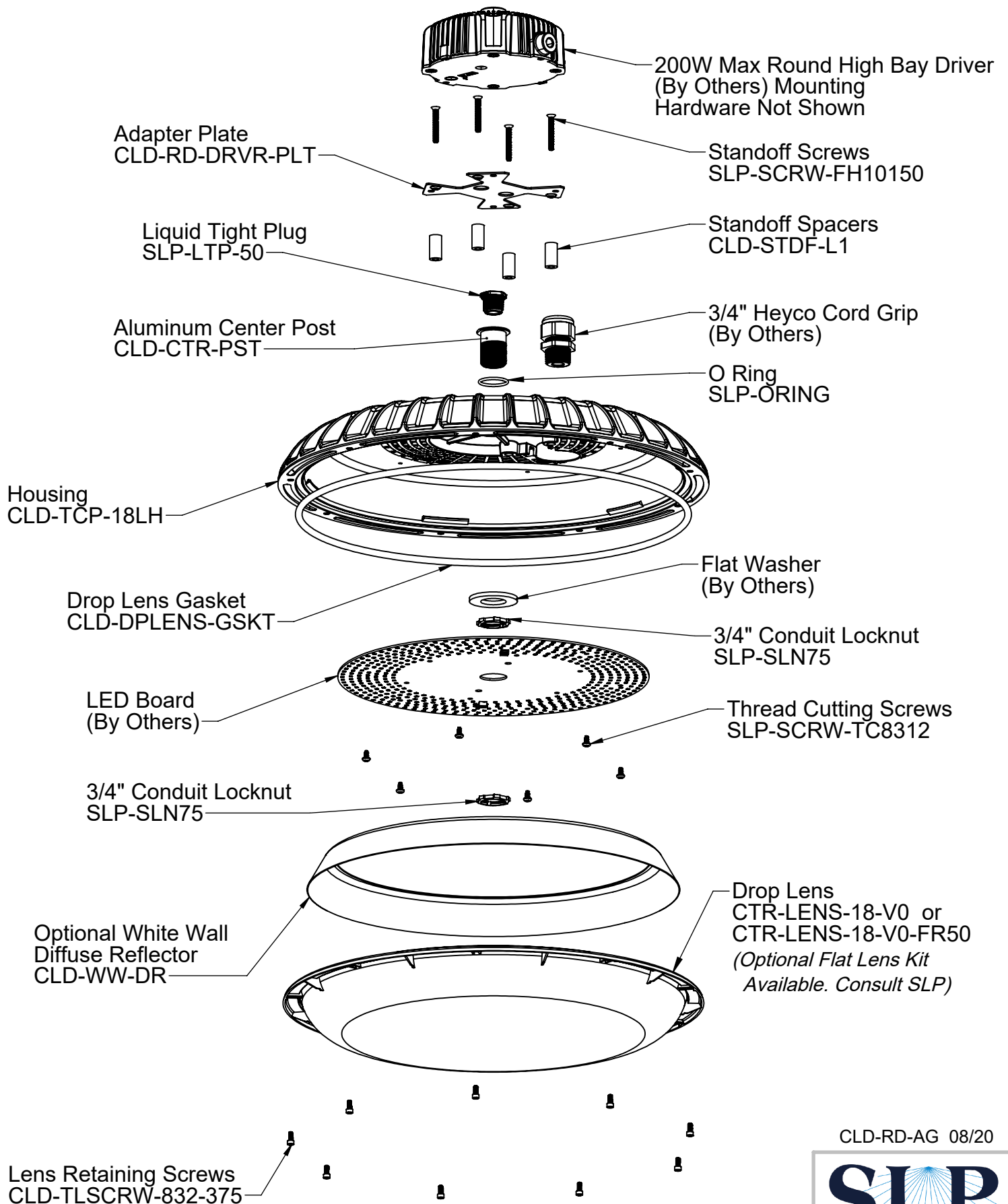


## Lens Retainer Screw

- CLD-TLSCRW-832-375  
(9 per Fixture)

CLD-RD-AG 08/20

# CircLED RD Exploded View

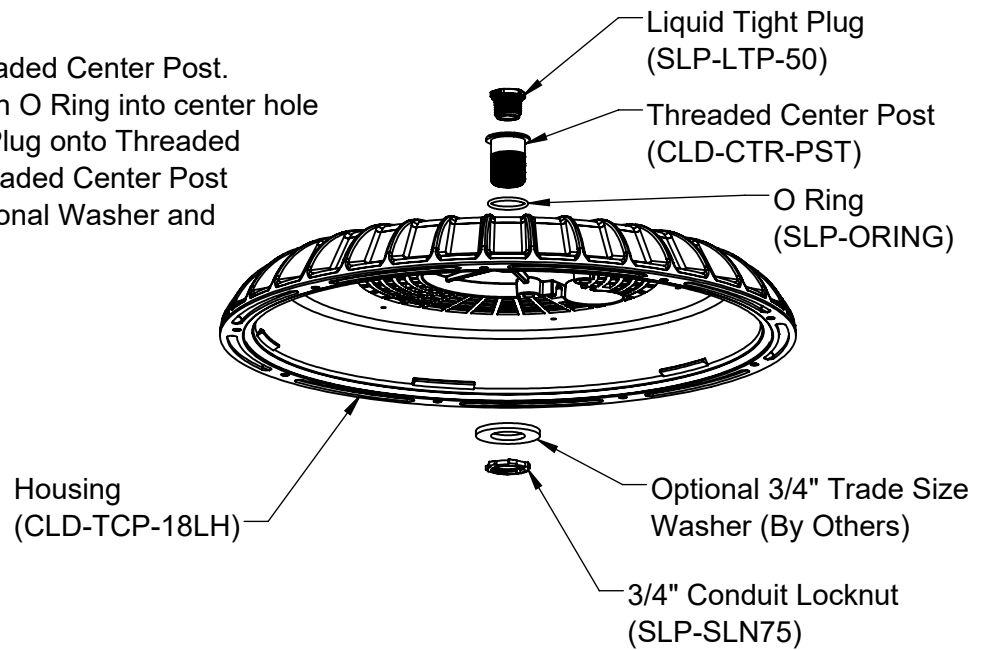


CLD-RD-AG 08/20



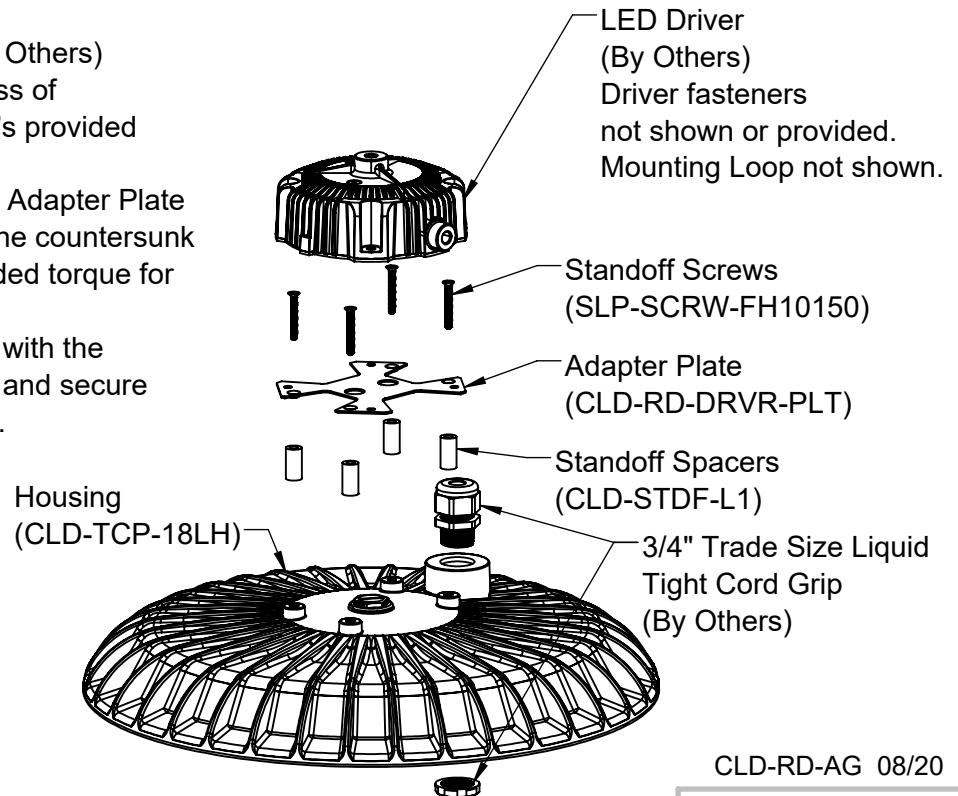
## STEP 1: Installing the Threaded Center Post to Housing

- 1.1) Install O Ring onto shaft of Threaded Center Post. Install Threaded Center Post with O Ring into center hole of Housing. Screw Liquid Tight Plug onto Threaded Center Post. Tightly secure Threaded Center Post and Liquid Tight Plug, using optional Washer and 3/4" Conduit Locknut as shown.



## STEP 2: Installing Round Driver to Housing

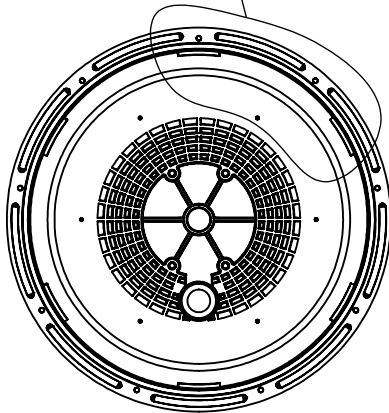
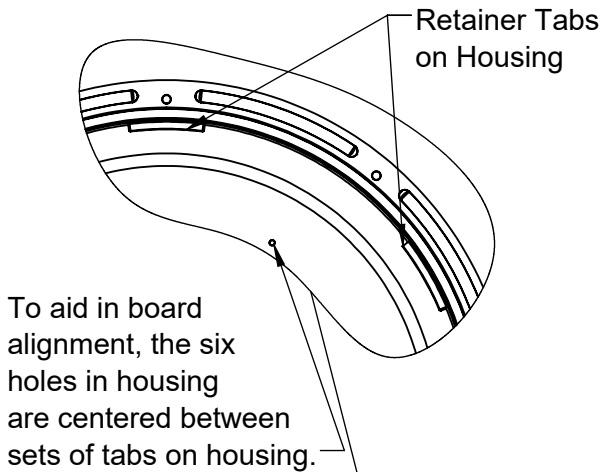
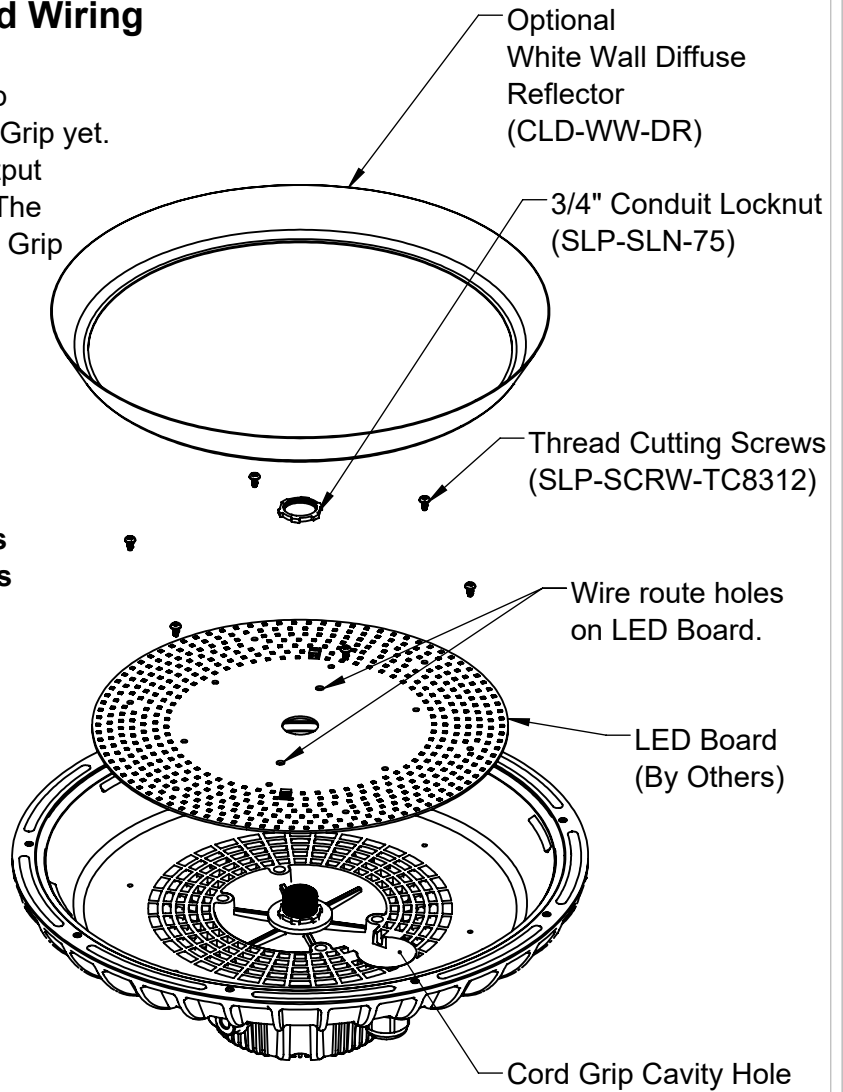
- 2.1) Install 3/4" trade size Cord Grip (By Others) into the hole of the large circular boss of Housing, and tightly secure it with it's provided nut.
- 2.2) Using the 4 Standoff Screws, install Adapter Plate with the 4 Standoff Spacers under the countersunk holes of Adapter Plate. Recommended torque for Standoff Screws is 50 - 55 inch lbs.
- 3.3) Line up the holes of the LED Driver with the remaining 4 holes of Adapter Plate, and secure with screws and nuts (not provided).



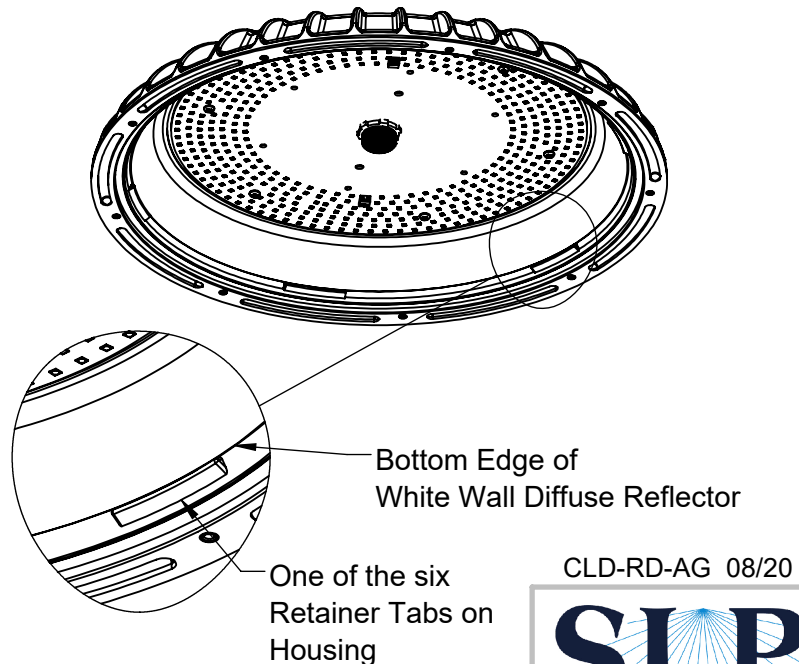
CLD-RD-AG 08/20

## STEP 3: Installing the LED Board and Wiring

- 3.1) Route the Driver output cord into the Cord Grip installed at previous step. Do not tighten Cord Grip yet. If using a two channel LED Board, wire the output in parallel, using solid copper or tinned wires. The wire connections can be contained in the Cord Grip cavity hole of housing.
- 3.2) Install LED Board (by others) onto housing, routing the channel output wires into their respective wire route holes on board, and stab-lock wires into connectors.
- 3.3) Secure board with 3/4" conduit locknut, along with the six thread Locking Screws. **Recommended maximum torque for screws is 6 in/lbs. Do not overtighten or use screws longer than required.**
- 3.4) Install optional White Wall Diffuse Reflector into housing by simply inserting into bottom of housing. Verify that Reflector is fully seated above the 6 retainer tabs of housing. (See Detail.)



**BOTTOM VIEW OF HOUSING**

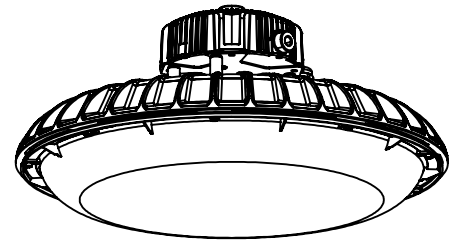


CLD-RD-AG 08/20

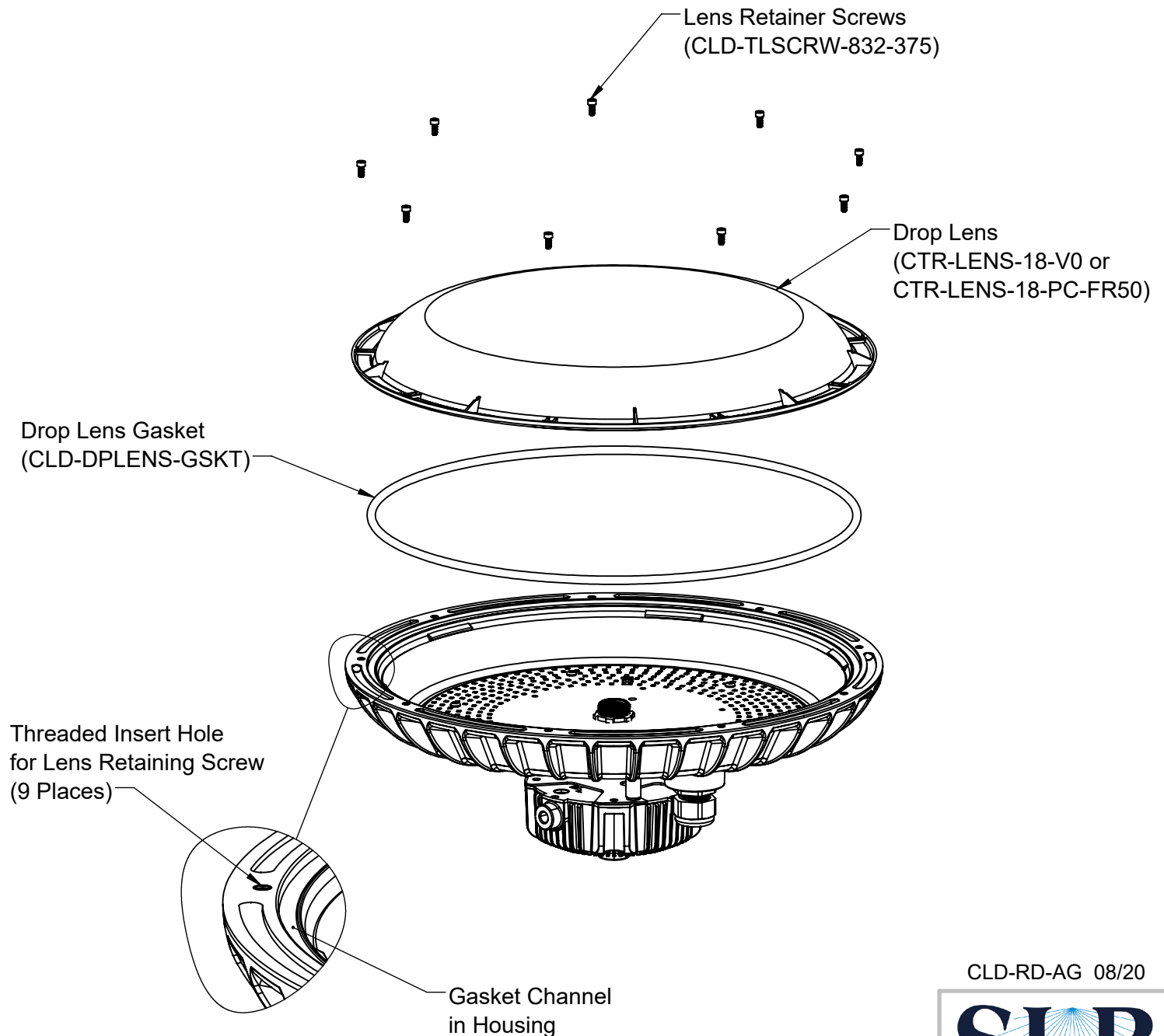


## STEP 4: Installing the Drop Lens

- 4.1) Install Drop Lens Gasket into Gasket Channel of Housing.  
Make sure it is fully contained in channel.  
Note: For a Dry/Damp fixture installation, the Drop Lens Gasket can be omitted.
- 4.2) Line up the Drop Lens holes to the Threaded Insert Holes of Housing, and secure Lens using the Lens Retainer Screws.  
**Recommended screw torque is 20 inch lbs.**  
Do not overtighten.  
Note: Lens Retainer Screws require a 9/64" hex key.
- 4.3) Test Fixture, and package for shipment.



Completed Assembly



CLD-RD-AG 08/20

