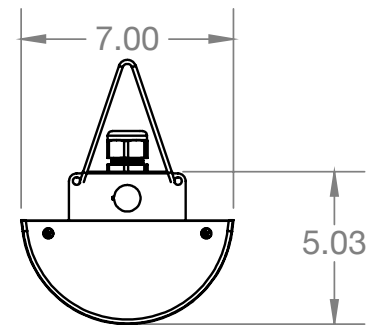
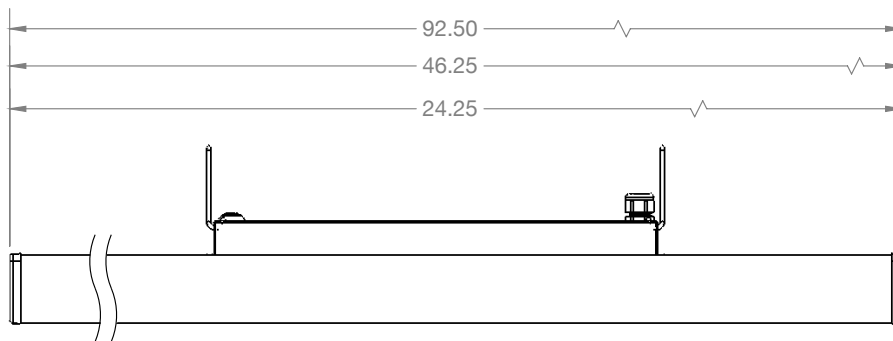


SLP'S NEWEST HIGH BAY FIXTURE!



Features & Benefits

- Perfect for damp or dry locations and architectural applications
- Housing:
 - Aluminum Extrusion
- Lens:
 - Extruded polycarbonate
 - Extruded acrylic
 - Available in clear, white and frosted
- Linear Zhaga 1.60" width compatible
- Cable or stem hanging
- Available in 2', 4' and 8' lengths
- Designed to UL 1598
- Wattage:
 - 2': Up to 100w
 - 4': Up to 200w
 - 8': Up to 400w
- 120 - 277v

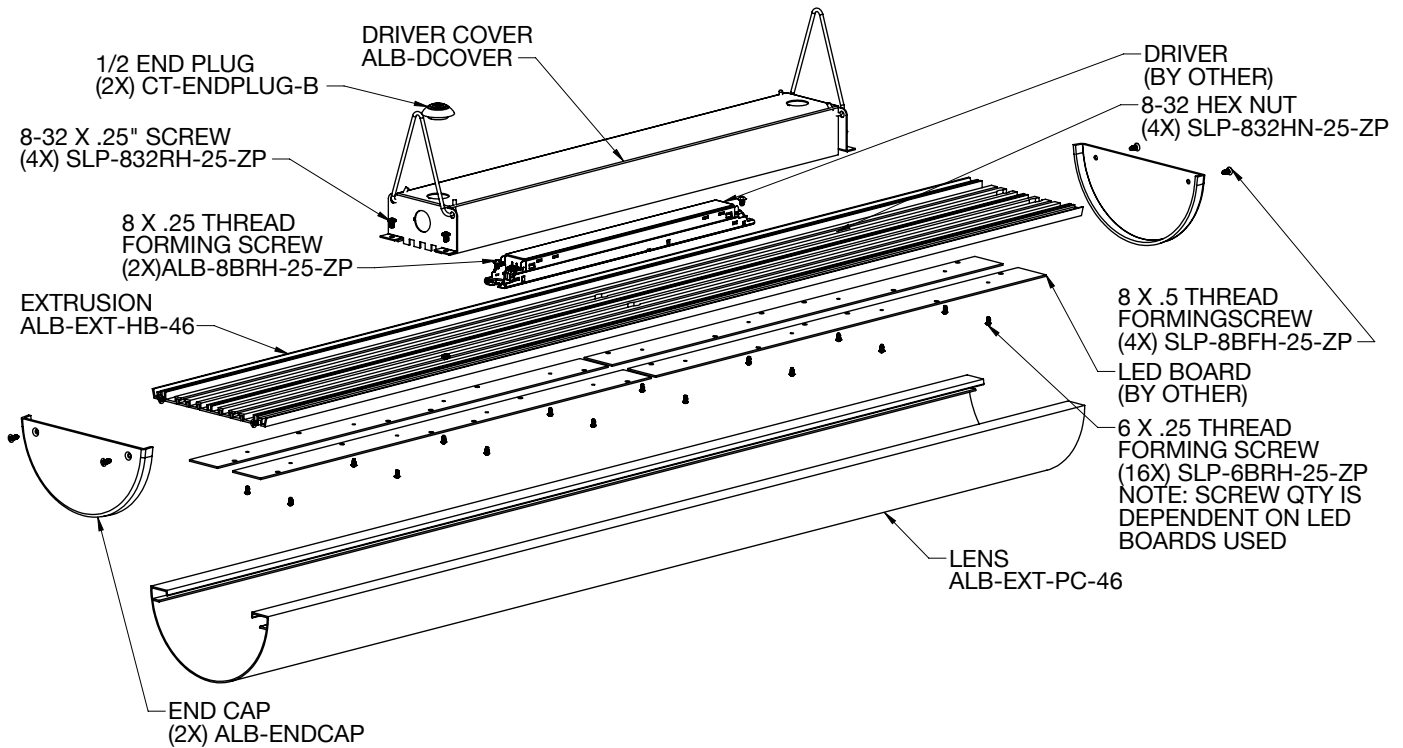
Certifications

- UL dry/damp locations
- 25° C/40° C ambient
- RoHS

Applications

- High bay
- Low bay
- Industrial
- Architectural

Product offering and specifications subject to change without notice



Components

Component	Standard Material	Pieces Required / Assembly	Available Options
Extrusion	6061-T6 Extrusion	1	
Driver Cover	18 GA Steel	1	
End Cap	Makrolon 2407	2	
End Plug	Santoprene	2	
Lens	Polycarbonate or Acrylic	1	
8 x .25" (Thread Forming Screw)	Zinc Plated Steel	Driver: 2 / Cover: 2	2 Drivers, 8 Pieces
8 x .25" Flat Head	Zinc Plated Steel	4 (2 per End Cap)	
Phillips Pan Head #6 - B 1/4" Zinc	Zinc	Depends on Board	

Mounting Components

Component	Standard Material	Pieces Required / Assembly	Available Options
Cable Bracket	Galvanized Steel	4	
8-32 x .25" Screw	Zinc Steel	4	
8-32 Hex Nut	Zinc Steel	4	

Product offering and specifications subject to change without notice

Housing

Diameter	Description	Part #	PCS / CTN	WT / CTN	Skid Quantity
24.25" long	Aluminum Extrusion Body	ALB-EXT-HB-24	10		
46.25" long	Aluminum Extrusion Body	ALB-EXT-HB-46	10		
92.25" long	Aluminum Extrusion Body	ALB-EXT-HB-92	10		

Lenses

Description	Part #	PCS / CTN	WT / CTN	Full Skid Quantity
Polycarbonate 2' Lens - Clear	ALB-EXT-PC-24-CLR	10		
Polycarbonate 2' Lens - Frost	ALB-EXT-PC-24-FST	10		
Polycarbonate 2' Lens - White	ALB-EXT-PC-24-WHT	10		
Acrylic 2' Lens - Clear	ALB-EXT-AC-24-CLR	10		
Acrylic 2' Lens - Frost	ALB-EXT-AC-24-FST	10		
Acrylic 2' Lens - White	ALB-EXT-AC-24-WHT	10		
Polycarbonate 4' Lens - Clear	ALB-EXT-PC-46-CLR	10		
Polycarbonate 4' Lens - Frost	ALB-EXT-PC-46-FST	10		
Polycarbonate 4' Lens - White	ALB-EXT-PC-46-WHT	10		
Acrylic 4' Lens - Clear	ALB-EXT-AC-46-CLR	10		
Acrylic 4' Lens - Frost	ALB-EXT-AC-46-FST	10		
Acrylic 4' Lens - White	ALB-EXT-AC-46-WHT	10		
Polycarbonate 8' Lens - Clear	ALB-EXT-PC-92-CLR	10		
Polycarbonate 8' Lens - Frost	ALB-EXT-PC-92-FST	10		
Polycarbonate 8' Lens - White	ALB-EXT-PC-92-WHT	10		
Acrylic 8' Lens - Clear	ALB-EXT-AC-92-CLR	10		
Acrylic 8' Lens - Frost	ALB-EXT-AC-92-FST	10		
Acrylic 8' Lens - White	ALB-EXT-AC-92-WHT	10		

Hardware

Component	Part #	PCS / BAG	PCS / CTN	WT / CTN
Phillips Pan Head #6 - B 1/4" Zinc	SLP-6BRH-25-ZP	200		
8 x .25" (Thread Forming Screw)	SLP-8BRH-25-ZP	40		
8 x .25" Flat Head (Thread Forming Screw)	SLP-8BFH-25-ZP	40		
8-32 x .25" Screw	SLP-832RH-25-ZP	40		
8-32 Hex Nut	SLP-832HN-ZP	40		

Mounting Accessories

Description	Part #	PCS / BAG	PCS / CTN	WT / CTN
Cable Mounting Bracket	ALB-CABLEBKT	40		
Driver Cover	ALB-DCOVER	10		
End Cap	ALB-ENDCAP	20		
End Plug	CT-ENDPLUG-B	10		
CONSULT FACTORY FOR ADDITIONAL OPTIONS				

Product offering and specifications subject to change without notice