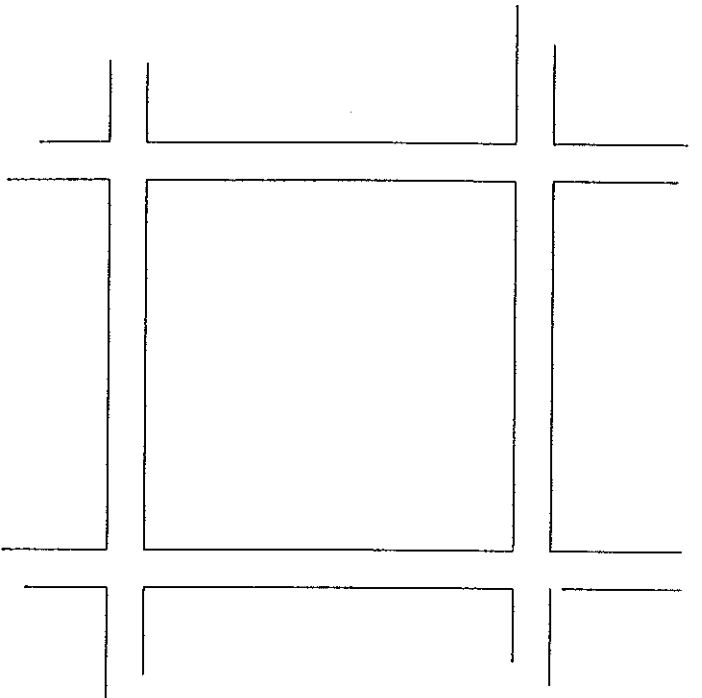
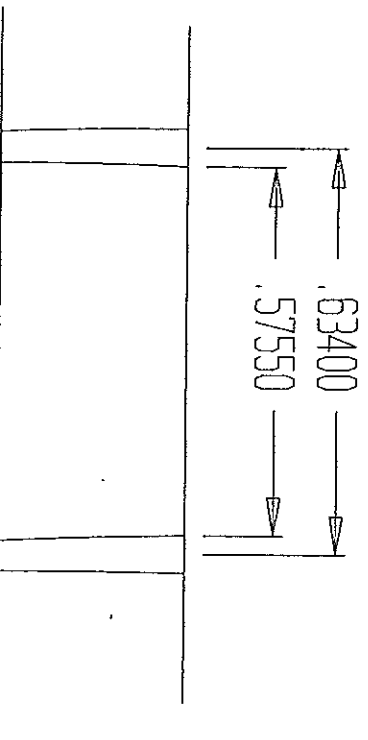


SCIENTIFIC LIGHTING PRODUCTS
TC LOUVER



$$.63400'' = .401956 \text{ SQUARE INCH} \\ (\text{TOTAL AREA PER CELL})$$

$$.57550'' = .33120025 \text{ SQUARE INCHES} \\ (\text{OPEN AREA PER CELL})$$



$$\frac{.33120025 \text{ SQ. IN}}{.401956 \text{ SQ. IN}} = 82.398\% \text{ OPEN AREA PER CELL}$$