

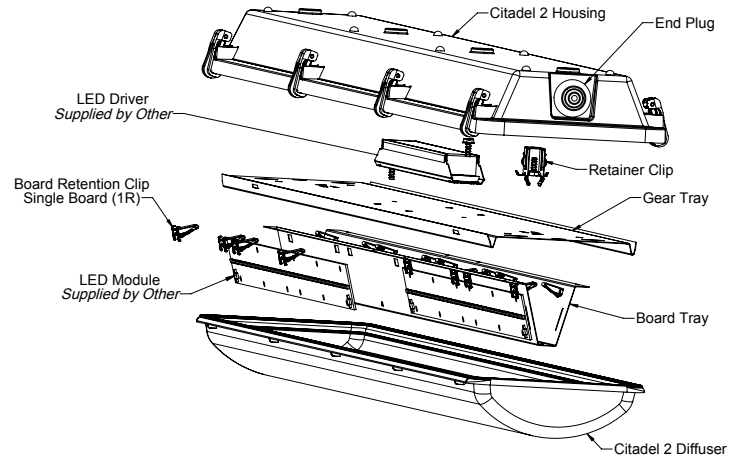
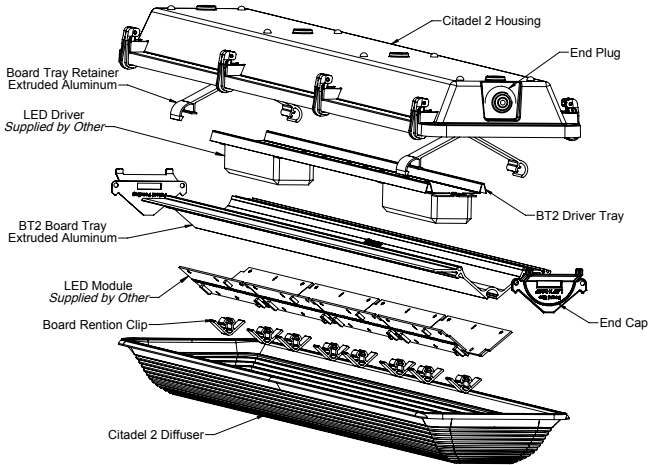
# 2 CITADEL



**Style 2**



**Style 3**



## Style 2 & Style 3

ITEM	PIECES REQUIRED PER ASSEMBLY	MATERIAL WITH AVAILABLE OPTIONS
HOUSING	1	UL RATED: 5VA(f1) FRP
DIFFUSER	1	PC OR IMPACT RESISTANT ACRYLIC (f1) LINEAL RIBBED (DIRA/DP) SHALLOW (CIRA) OR DEEP LENS (LIRA) AVAILABLE IN CLEAR OR FR50 FROSTED
RETAINER CLIP SCREW	2	STEEL ZINC PLATED
UNIVERSAL GEARTRAY SCREW: CT-SCRW-UGT	2 PER DRIVER TRAY + 2 PER DRIVER / L-SHAPE = 4 & U-SHAPE = 6	SHEET METAL
GEARTRAY SAFETY STRAP	2	NYLON
LATCHES	1 BAG (8)	SECURE LOCKING PLASTIC (POM), POLYCARBONATE, STAINLESS STEEL
ENDPLUG	2	INCLUDED IN LATCH BAG
MOUNTING BRACKET	2	316 STAINLESS STEEL

### Style 2

ITEM	PIECES REQUIRED PER ASSEMBLY	MATERIAL
BOARDTRAY	1	ALUMINUM EXTRUSION
BOARDTRAY RETAINER CLIP	2	ALUMINUM EXTRUSION
BOARD RETENTION CLIPS	8	ABS WHITE
BOARDTRAY ENDCAPS	2	NYLON
CT2-LED-SCRW-850	4	STEEL ZINC
DRIVER TRAY	1	SHEET METAL
WIRE ACCESS COVER	1	SHEET METAL

### Style 3

ITEM	PIECES REQUIRED PER ASSEMBLY	MATERIAL
GEARTRAY	1	SHEET METAL
BOARDTRAY	1	SHEET METAL
RETAINER CLIPS	2	STAINLESS STEEL
BOARD RETENTION CLIPS (SINGLE)	16	SHEET METAL

