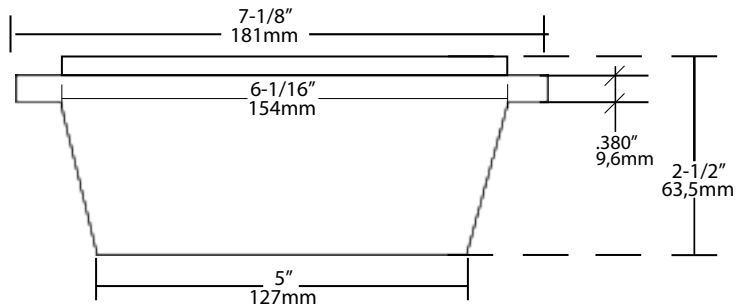


VP60 Injection Molded Lens

7-1/8" x 49-15/16" x 2-1/2"
181mm x 1268,41mm x 63,5mm

Injection Molded for enclosed and gasketed fixtures.
Available with or without gaskets.



VP60 INJECTION MOLDED LENS				
POLYCARBONATE				
FINISH	DIMENSIONAL SIZE	PART #	PCS/CTN	CTN. WT.
WITHOUT GASKETS				
CLEAR FROSTED	7-1/8" X 49-15/16" X 2-1/2"	VP-60-PC-749	10	39LBS/17.7KG
WHITE	7-1/8" X 49-15/16" X 2-1/2"	VP-60-PCW-749	10	39LBS/17.7KG
WITH HOLES WITH GASKETS				
CLEAR FROSTED	7-1/8" X 49-15/16" X 2-1/2"	VP-60-PC-749-WHWG	10	39LBS/17.7KG
WHITE	7-1/8" X 49-15/16" X 2-1/2"	VP-60-PCW-749-WHWG	10	39LBS/17.7KG
NO HOLES WITH GASKETS				
CLEAR FROSTED	7-1/8" X 49-15/16" X 2-1/2"	VP-60-PC-749-NHWG	10	39LBS/17.7KG
WITH HOLES NO GASKETS				
CLEAR FROSTED	7-1/8" X 49-15/16" X 2-1/2"	VP-60-PC-749-WHNG	10	39LBS/17.7KG

Product offering and specifications subject to change without notice.



SLP LIGHTING
www.splighting.com

V11012017

1400 S. Old Highway 141
Fenton, MO 63026
636-600-4084