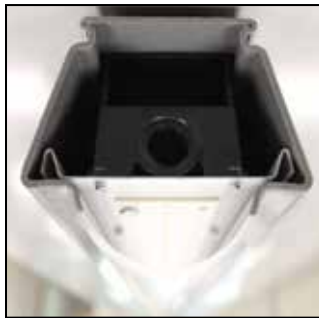
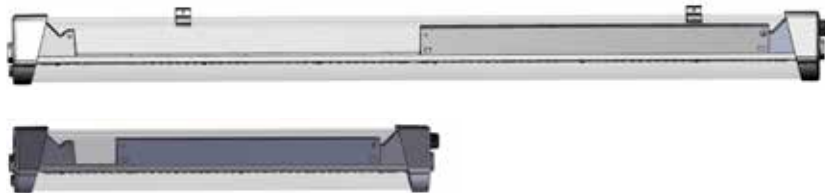


# SLP PROFILE I

Shaped for Unique Lighting Applications.

The Profile I is the first of its' series of uniquely shaped enclosures. The foundation is a versatile internal component system designed to stay the same which increases speed to market with reduced tooling on future housing designs in the Profile series.



## APPLICATIONS:

- Low Bay Areas that require a Linear LED Enclosure
- General Lighting
- Garden Centers
- Food Processing
- Supermarkets
- Warehouses
- Subway

## CERTIFICATIONS

- UL Wet Location
- IP65
- IP66
- ROHS

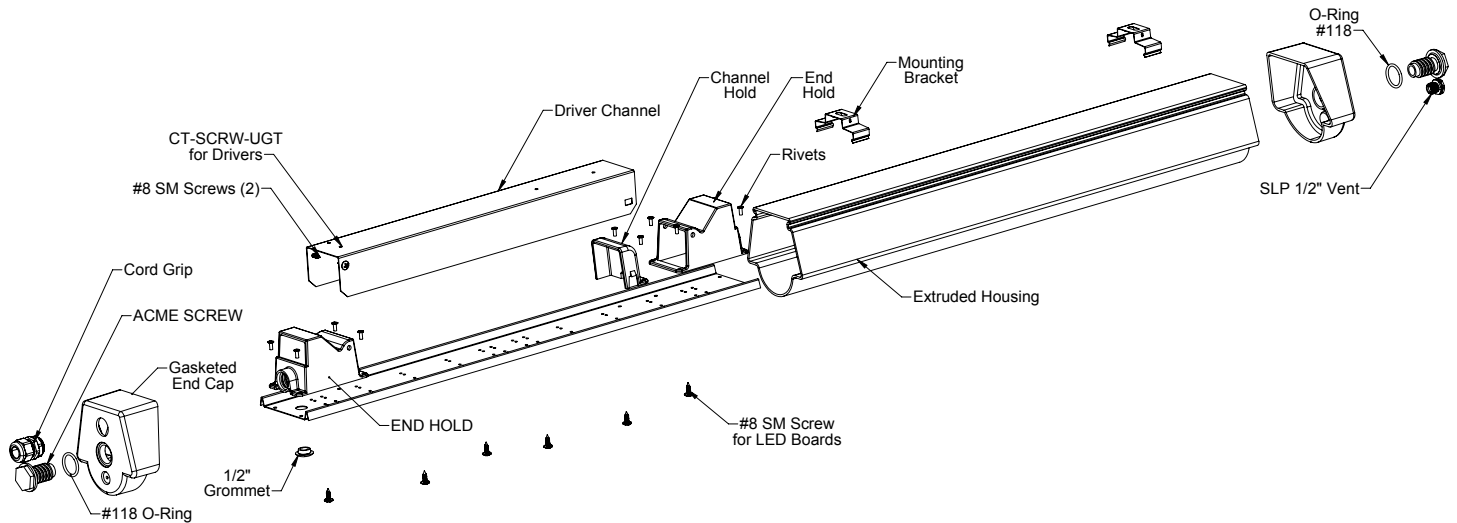
## FEATURES & BENEFITS:

- Designed for LEDS
- Familiar Economical Mounting Options
- (f1) Rated Material Co-extruded housing and Lens
- 2', 4', and 8' Lengths
- Flat Internal Board Tray for use with
  - Linear Zhaga Boards
  - Philips EaseSelect 4' board
- The encapsulated electrical enclosure is where all higher voltages are to be located.
- All components compiling the encapsulated electrical enclosure are constructed of no less than 5VA approved materials
- Passage for class 2 wiring thru the board tray from LED driver to LED board protected via grommet.
- UL evaluated for 25° & 40° C ambient temperatures

Product offering and specifications subject to change without notice.



**PROFILE I™ ASSEMBLY:**



COMPONENT	STANDARD MATERIAL	PIECES REQUIRED PER ASSEMBLY			AVAILABLE OPTIONS
		2'	4'	8'	
HOUSING EXTRUSION	(f1) RATED GRAY ACRYLIC	1	1	1	CO-EXTRUDED HOUSING AND LENS
BOARDTRAY	COLD ROLLED STEEL	1	1	1	LINEAR ZHAGA FOR ALL LENGTHS 4' EASE SELECT TRAY
DRIVER CHANNEL	COLD ROLLED STEEL	1	1	1	16" DRIVER CHANNEL FOR SMALLER DRIVERS 20" DRIVER CHANNEL FOR LARGER DRIVERS
END HOLD	BLACK NORYL	2	2	2	NA
CHANNEL HOLD	BLACK NORYL	1	1	1	NA
ENDCAPS	BLACK NORYL	2	2	2	
ACME SCREW	BLACK NORYL	2	2	2	NA
O-RING		2	2	2	ONE PER ACME SCREW FOR IP RATING
MOUNTING BRACKET	316 STAINLESS STEEL	2	2	3	OPTIONAL HANGING BAIL ACCESSORY OPTIONAL DRILLED FOR THREADED ROD PENDANT
SAFETY BAIL	316 STAINLESS STEEL	2	2	3	
SLP VENT	VENT FOR IP67	1	1	1	NA

Product offering and specifications subject to change without notice.



**PROFILE I™ COMPONENTS:****PROFILE I™ HOUSING EXTRUSIONS**

LENGTH	MATERIAL	PART #	PCS/CTN	WT/CTN	FULL SKID QTY.
2'	GRAY ACRYLIC HOUSING EXTRUSION	PRF-S1-HE-GRY-A-2			
4'	GRAY ACRYLIC HOUSING EXTRUSION	PRF-S1-HE-GRY-A-4			
8'	GRAY ACRYLIC HOUSING EXTRUSION	PRF-S1-HE-GRY-A-8			

**PROFILE I™ BOARDTRAY**

LENGTH	MATERIAL	PART #	PCS/CTN	WT/CTN	FULL SKID QTY.
2'	LINEAR ZHAGA 2' LED CRS BOARDTRAY	PRF-BT1-LZH-2			
4'	LINEAR ZHAGA 4' LED CRS BOARDTRAY	PRF-BT1-LZH-4			
	PHILIPS EASE SELECT 4' LED CRS BOARDTRAY	PRF-BT1-PES-4			
8'	LINEAR ZHAGA 8' LED CRS BOARDTRAY	PRF-BT1-LZH-8			

**PROFILE I™ DRIVER CHANNEL**

LENGTH	MATERIAL	PART #	PCS/CTN	WT/CTN	FULL SKID QTY.
16"	16" CRS DRIVER CHANNEL	PRF-DC1-16			
20"	20" CRS DRIVER CHANNEL	PRF-DC1-20			

**PROFILE I™ HARDWARE**

	PART #	PCS/BAG	PCS/CTN	WT/CTN
GASKETED END CAPS	PRF-S1-EC-BLK-N-S			
ACME SCREW	PRF-AS-BLK-N			
O-RING	SLP-ORING			
END HOLD	PRF-EH-BLK-N			
DRIVER CHANNEL HOLD	PRF-CH-BLK-N			
SLP VENT	SLP-VENT			
OPTIONAL WIRE GROMMET	CT-GRMT-0500	200		

**PROFILE I™ MOUNTING BRACKETS**

	MATERIAL	PART #	PCS/BAG	PCS/CTN	WT/CTN
MOUNTING BRACKET (2 PER UNIT)	STAINLESS STEEL	PRF-MB			
OPTIONAL SAFETY BAIL	STAINLESS STEEL	PRF-S1-SB			

**MOUNTING ACCESSORIES**

	MATERIAL	PART #	PCS/BAG	PCS/CTN	WT/CTN
CHAIN HANG: MOUNTING BAIL (2 PER UNIT)	STAINLESS STEEL	CT-BAIL	100		27LBS/12,2KG

Product offering and specifications subject to change without notice.

