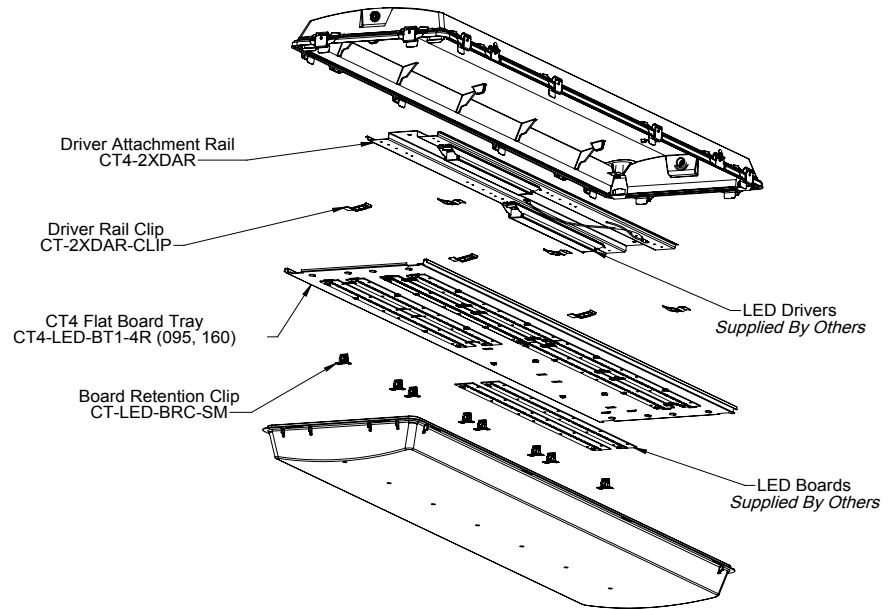


CITADEL 4 LED GASKETED ENCLOSURE

Wide Gasketed Enclosures For Wet Or Dusty Locations. CITADEL 4™ Designed to minimize the retention of liquids or debris when hosed off. Very durable materials. Compatible for LED Boards.



APPLICATIONS:

- Food Processing Facilities
- Commercial Kitchens
- Breweries
- Industrial Facilities
- Livestock Containment Buildings
- Parking Garages
- Under Awnings
- Laundries
- Utility Tunnels
- Car Washes

CERTIFICATIONS

- UL Wet Location
- NSF International
- IP66, IP67
- Nema 4X
- RoHS
- Patented
- SLP Guardian Seal
- DLC QPL
- PSI 1500

FEATURES & BENEFITS:

- 5VA (f1) Housing with CT4-2XDAR for Driver Mounting and Heat Management
- CT4-2XDAR holds up to 4 drivers
- Flat Board Trays Punched 4 Rows for use with Typical 0.95" or 1.60" LED Boards
- Board Retention Clips Snap Boards Into Place Quickly - 16 Clips for 4 Rows
- Scratch Proof And Conductivity Inhibitor Coating On Clips
- Lances Keeps Boards From Slipping Out of Position
- FR50 Frosted Lens helps hide image of LED diode
- All stainless steel hardware
- Captive boardtray operates from either side
- Mounting options for V-Hook, Cable and Ceiling mount systems
- UL evaluated for 25 & 40 degree C ambient temperatures
- Poured in place gasket and tamper resistant 316 stainless steel latches seal the enclosures from most hostile environments
- Optional specular reflectors provide narrow beam distribution
- Utilizes off the shelf 1/2" fittings

Product offering and specifications subject to change without notice.

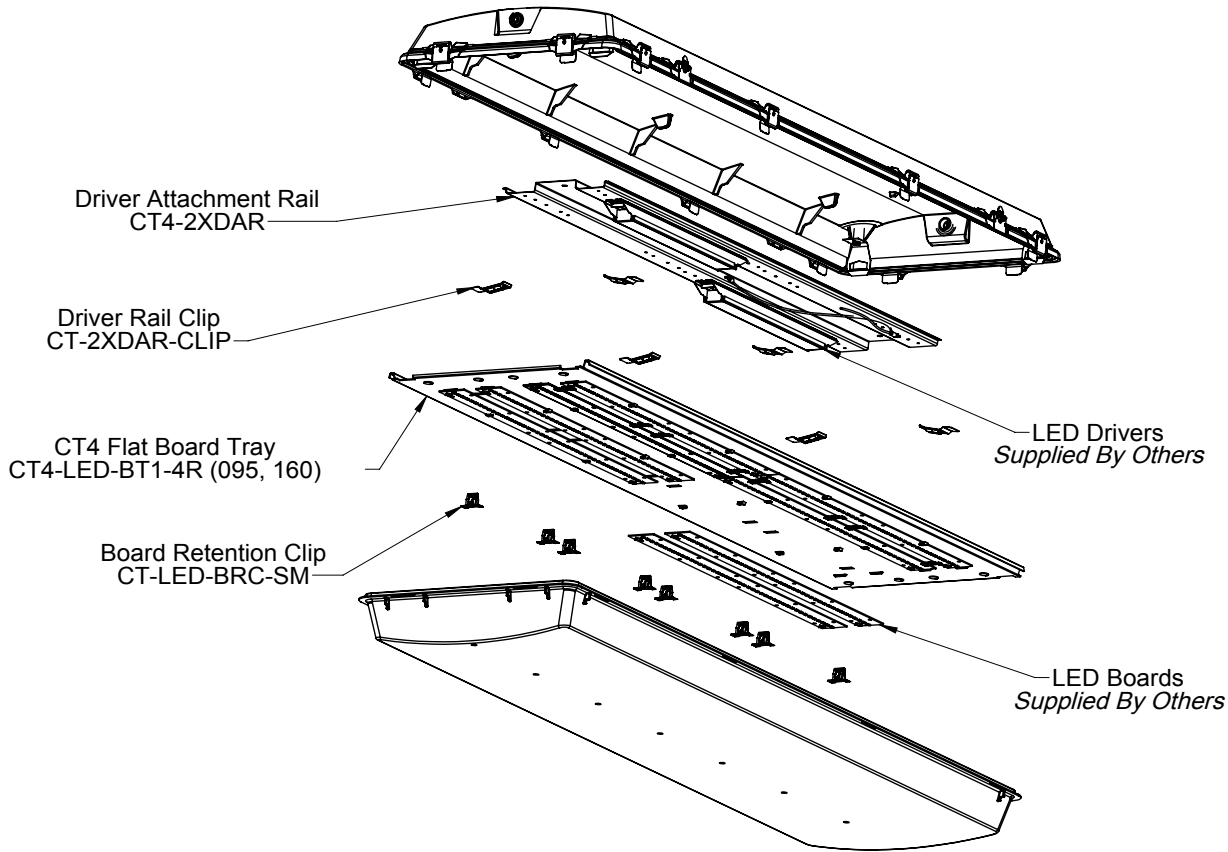


SLP LIGHTING
www.splighting.com

V11012017

1400 S. Old Highway 141
Fenton, MO 63026
636-600-4084

CITADEL 4 LED GASKETED ENCLOSURE



ASSEMBLY GUIDE:

	STANDARD MATERIAL	PIECES REQUIRED PER ASSEMBLY	AVAILABLE OPTIONS
HOUSING WITH HEAT MANAGEMENT	UL RATED: 5VA(f1) FRP	1	TRADITIONAL HOUSING WITH CT4-2XDAR HOUSING DRILLED FOR PENDANT MOUNTING
2X-DAR CLIPS		6	NA
DIFFUSER	POLYCARBONATE OR IMPACT RESISTANT ACRYLIC (f1) MATERIAL	1	OPTICALLY CLEAR FR50 FROSTED
BOARDTRAY	SHEET METAL CRS: MIN 87% REFLECTANCE	1	4R / 095, 160
RETAINER CLIP	316 STAINLESS STEEL	4	NA
RETAINER CLIP SCREW	STEEL ZINC PLATED	4	NA
BOARDTRAY RETENTION CLIPS	METAL WHITE	16	NA
DRIVER TRAY (OPTIONAL)	SHEET METAL	1	L-SHAPE FOR 1 / U-SHAPE FOR 2
UNIVERSAL GEARTRAY SCREW *CT-SCRW-UGT		2 PER DRIVER	NA
BALLAST ATTACHMENT BOLT		2 PER DRIVER	NA
BALLAST ATTACHMENT FLANGED NUT		2 PER DRIVER	NA
GEARTRAY SAFETY TETHER	STAINLESS STEEL	2	NA
LATCHES	316 STAINLESS	1 BAG (12)	NA
ENDPLUG	INCLUDED IN LATCH BAG	1	NA
MOUNTING BRACKET	316 STAINLESS STEEL	4	NA
MOUNTING V-HOOK	316 STAINLESS STEEL	2	FLEXIBLE CEILING MOUNT PENDANT WITH HUB CABLE (PROVIDED BY OTHERS)

Product offering and specifications subject to change without notice.



CITADEL 4 LED GASKETED ENCLOSURE

OEM COMPONENTS:

COMPONENTS FOR CT4 LED APPLICATIONS

CITADEL 4™ HOUSINGS		MATERIAL	PART #	PCS/CTN	WT/CTN	SKID QTY
STANDARD HOUSING HOLES AT BOTH ENDS		5VA-f1 FIBERGLASS (UL)	CT4-HV5-2H	10	68LBS/ 30.84KG	90
HOUSING CENTER HOLE DRILLED FOR PENDANT MOUNTING		5VA-f1 FIBERGLASS (UL)	CT4-HV5-2H-CH1.25	10	68LBS/ 30.84KG	90

CITADEL 4™ BOARDTRAYS					
DESIGN	FINISH	PART #	PCS/CTN	FULL SKID QTY	FULL SKID WT.
4 ROWS 0.95 BOARDS	WHITE ENAMEL	CT4-LED-BT1-095	BULK	360	2125LBS/963.88KG
4 ROWS 1.60 BOARDS	WHITE ENAMEL	CT4-LED-BT1-160	BULK	360	2125LBS/963.88KG

CITADEL 4™ MOUNTING OPTIONS		MATERIAL	PART #	PCS/BAG	PCS/CTN	WT/CTN
CEILING MOUNT		316 STAINLESS STEEL	CT4-CM1.25	20	400	64LBS/29.03KG
V-HOOK		316 STAINLESS STEEL	CT4-VHOOK	20	5000	453LBS/205.47KG

MOUNTING ACCESSORIES						
		MATERIAL	PART #	PCS/BAG	PCS/CTN	WT/CTN
UNIVERSAL MOUNTING BRACKET		316 STAINLESS STEEL	CT4-MB	40	1200	17LBS/ 7.71KG
DRIVER ATTACHMENT RAIL FOR PENDANT MOUNT SUPPORT		WHITE ENAMEL	CT4-2XDAR			
DRIVER ATTACHMENT RAIL CLIPS		BLACK	CT-2XDAR-CLIP			

CITADEL 4™ HARDWARE		PART #	PCS PER BAG	PCS/CTN	WT/CTN
GEARTRAY RETAINER CLIPS		CT4-GTRC	40	1200	24LBS/10.88KG
GEARTRAY RETAINER CLIP SCREWS		CT-SCRW	100	10,000	52LBS/23.58KG
UNIVERSAL GEARTRAY BALLAST SCREWS		CT-SCRW-UGT	100	10,000	
OPTIONAL DRIVER TRAY "U" SHAPE FOR TWO DRIVERS		CT-LED-DT-U		336	
CITADEL GROUND WIRE		CT4I-GND-15	100	2000	23LBS/10.43KGS
CITADEL LED BOARD TRAY RETENSION CLIP		CT-LED-BRC-SM	200	5000	
BALLAST ATTACHMENT BOLT		CT4i-BAB	200	6000	49LBS/22.22KG
BALLAST ATTACHMENT FLANGED NUT		CT4i-BAFN	200	6000	37LBS/16.78KG
1/2" HUB		CT-DCB-50	200		30LBS/13.6KG
3/4" HUB		CT-DCB-75	100		20LBS/9.07KG
12" GEARTRAY TETHER (2 PER FIXTURE)		CT-LT12	20	2000	11LBS/4.98KG
8" LENS TETHERS (2 REQUIRED PER FIXTURE)		CT-LT8	20	3000	14LBS/6.35KG
END PLUGS		CT-ENDPLUG-B	200	2000	23LBS/10.43KG
WIRE GROMMET		CT-GRMT-0500	200		
STAINLESS STEEL LATCH		CT4-LATCHSS	120	2400	48LBS/ 21.77KG

CITADEL 4™ DIFFUSERS					
DESIGN	MATERIAL	PART #	PCS/CTN	WT/CTN	SKID QTY
WATER CLEAR WITH FROSTED ENDS	CLEAR POLYCARBONATE	CT4-DP	10	49LBS/ 22.22	90
	CLEAR IMPACT RESISTANT ACRYLIC	CT4-DIRA	10	47LBS/ 21.31	90
FR50 FROSTED	FROSTED POLYCARBONATE	CT4-DP-FR50	10	49LBS/ 22.22	90
	FROSTED IMPACT RESISTANT ACRYLIC	CT4-DIRA-FR50	10	47LBS/ 21.31	90

Product offering and specifications subject to change without notice.



SLP LIGHTING
www.splighting.com

V11012017

1400 S. Old Highway 141
Fenton, MO 63026
636-600-4084