



CITADEL 2™ LED ENCLOSURE

CT2LED

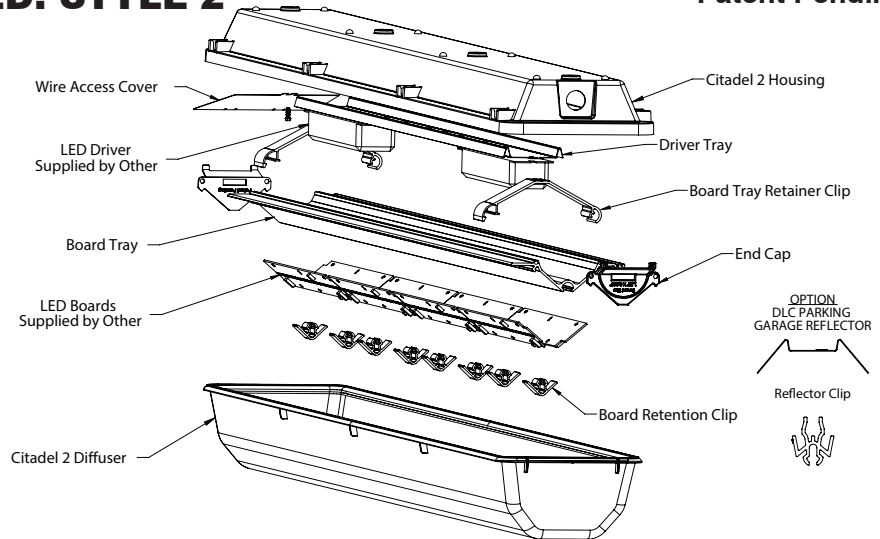
LED STYLE 2:

Citadel 2 Enclosure for LED: STYLE 2

Patent Pending

Parking Garages Low Bay

The LED Reflector Kit consists of 2 clips that snap into each end of the boardtray to hold a wide distribution reflector that spreads the LEDs distribution more evenly than directing it downward. Citadel 2 LED components plus the Reflector Kit meet DLC V2.0 requirements for Parking Garage Applications.

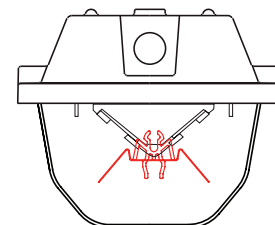


	STANDARD MATERIAL	PIECES REQUIRED PER ASSEMBLY		AVAILABLE OPTIONS
		2'	4'	
HOUSING	UL RATED: 5VA(f1) FRP	1	1	NA
DIFFUSER	PC OR IMPACT RESISTANT ACRYLIC (f1) MATERIAL	1	1	LINEAL RIBBED (DIRA/DP) (W/O RF) OR DEEP LENS (LIRA) AVAILABLE IN CLEAR OR FR50 FROSTED
BOARDTRAY	ALUMINUM EXTRUSION	1	1	2L2, 2L4 / 160
BOARDTRAY RETAINER CLIP	ALUMINUM EXTRUSION	2	2	NA
RETAINER CLIP SCREW	100 PCS / BAG	2	2	NA
BOARD RETENTION CLIPS	ABS WHITE	4	8	NA
BOARDTRAY ENDCAPS		2	2	
CT2-LED-SCRW-850		4	4	INSTALL ENDCAPS
DRIVER TRAY	SHEET METAL	1	1	L-SHAPE FOR 1 / U-SHAPE FOR 2
WIRE ACCESS COVER	SHEET METAL	1	1	
UNIVERSAL GEARTRAY SCREW CT-SCRW-UGT		2 PER DRIVER TRAY + 2 PER DRIVER		
GEARTRAY SAFETY STRAP	100 PCS / BAG	2	2	NA
LATCHES	POLYCARBONATE	1 BAG (6)	1 BAG (8)	STAINLESS STEEL LATCHES SECURE LOCKING PLASTIC (POM)
ENDPLUG	INCLUDED IN LATCH BAG	1	1	NA
MOUNTING BRACKET	STAINLESS STEEL	2	2	NA

LED Reflector Kit for DLC

Patent Pending

SLP ITEM NO.s	DESCRIPTION	MATERIAL	PIECES PER ASSEMBLY	
			2'	4'
CT2-LED-BT2M-RFC	CT2 LED REFLECTOR CLIP	LIGHT GRAY NYLON	2	2
CT2-LED-RF-2L2-M	CT2 LED DLC REFLECTOR	SPECULAR ALUMINUM	1	
CT2-LED-RF-2L4-M	CT2 LED DLC REFLECTOR	SPECULAR ALUMINUM		1



Product offering and specifications subject to change without notice.

SLP LIGHTING

PHONE: 636.600.4084 | 800.248.0224 FAX: 636.600.4108

www.splighting.com V03272017



CITADEL 2™ LED ENCLOSURE

CT2LED

LED STYLE 2:

Citadel 2 Enclosure for LED: STYLE 2

COMPONENTS FOR TRADITIONAL CT2 LED				
PART #	DESCRIPTION	MATERIAL	PCS/CTN	WT/CTN
CT2-LED-DT-2	DRIVER TRAY	COLD ROLLED STEEL		
CT2-LED-DT-4			500	
CT2-LED-BT2-22-M	BOARD TRAY	ALUMINUM	480	
CT2-LED-BT2-24-M			312	
CT2-LED-EC-M	BOARD TRAY ENDCAPS	LIGHT GRAY NYLON	2000	
CT2-LED-BTRC-2	BOARD TRAY RETAINER CLIPS	ALUMINUM	1500	
CT-LED-BRC-M	BOARD RETENTION CLIPS	LIGHT GRAY ABS	960	
CT2-LED-2L2-WAC	WIRE ACCESS COVER	GAVONIZED STEEL	240	
CT2-LED-2L4-WAC			240	
CT-LT12	12' SAFETY TETHER		2000	11LBS/7KG
CT2-MB-2L-2	MOUNTING BRACKET	STAINLESS STEEL	250	31LBS/14.06KG
CT-BAIL	CHAIN HANG: MOUNTING BRACKET BAIL	STAINLESS STEEL	100	27LBS/12.2KG

CITADEL 2™ HOUSINGS: UL RATED COMPONENTS					UL:E215168		
WIDTH	LENGTH	MATERIAL	PART #	PCS/CTN	WT/CTN	FULL SKID QTY.	
WIDE	2'	UL RATED: 5VA(f1) FRP	CT2-HV5-2L2	20	75LBS/34KG	240	
	4'		CT2-HV5-2L4	20	57LBS/25,9KG	240	

Citadel 2™ Diffusers								
WIDTH	LENGTH	DESIGN	MATERIAL	PART NO. FOR CLEAR	PART NO. FOR FR50™ FROSTED	PCS/CTN	WT/CTN	FULL SKID QTY.
NARROW (1 LAMP)	4'	LINEAL RIBBED	POLYCARBONATE	CT2-DP-1L4	CT2-DP-1L4-FR50	30	25LBS/11,3KG	180
	4'	LINEAL RIBBED	IMPACT RESISTANT ACRYLIC	CT2-DIRA-1L4	CT2-DIRA-1L4-FR50	30	25LBS/11,3KG	180
	4'	SMOOTH	IMPACT RESISTANT ACRYLIC	CT2-CIRA-1L4	CT2-CIRA-1L4-FR50			
	4'	SMOOTH	POLYCARBONATE	CT2-CP-1L4	CT2-CP-1L4-FR50			
WIDE (2 OR 3 LAMP)	2'	LINEAL RIBBED	POLYCARBONATE	CT2-DP-2L2	CT2-DP-2L2-FR50	20	22LBS/9,97KG	240
	2'	LINEAL RIBBED	IMPACT RESISTANT ACRYLIC	CT2-DIRA-2L2	CT2-DIRA-2L2-FR50	20	21LBS/9,5KG	240
	2'	DEEP	IMPACT RESISTANT ACRYLIC	CT2-LIRA-2L2	CT2-LIRA-2L2-FR50	10		180
	4'	LINEAL RIBBED	POLYCARBONATE	CT2-DP-2L4	CT2-DP-2L4-FR50	20	21LBS/9,5KG	240
	4'	LINEAL RIBBED	IMPACT RESISTANT ACRYLIC	CT2-DIRA-2L4	CT2-DIRA-2L4-FR50	20	38LBS/17,2KG	240
	4'	SHALLOW	IMPACT RESISTANT ACRYLIC	CT2-CIRA-2L4	CT2-CIRA-2L4-FR50	20		240
	4'	SHALLOW	POLYCARBONATE	CT2-CP-2L4	CT2-CP-2L4-FR50	20		240
	4'	DEEP	IMPACT RESISTANT ACRYLIC	CT2-LIRA-2L4	CT2-LIRA-2L4-FR50	20	50LBS/22,6KG	240
	8'	LINEAL RIBBED	IMPACT RESISTANT ACRYLIC	CT2-DIRA-2L8	CT2-DIRA-2L8-FR50	10	40LBS/18.14KG	240
	8'	DEEP	IMPACT RESISTANT ACRYLIC	CT2-LIRA-2L8	CT2-LIRA-2L8-FR50	10	48LBS/21.7KG	120

HARDWARE FOR TRADITIONAL CT2 LED				
ITEM	PART #	PCS/CTN	FULL SKID QTY	WT/CTN
GEARTRAY RETAINER CLIP SCREWS (100 PER BAG)	CT-SCRW	100	10,000	52LBS/23,6KG
UNIVERSAL GEARTRAY SCREWS	CT-SCRW-UGT	100	10,000	
CITADEL LED SCREWS	CT-LED-SCRW-850	100		
ENDPLUGS	CT-ENDPLUG	200	2000	22LBS/10KG
GEARTRAY SAFETY STRAPS (100 PER BAG)	CT-SST	100	10,000	17LBS/7,7KG
LENS TETHER (20 PER BAG)	CT-LT12	20	2000	11LBS/7KG
1/2" HUB	CT-DCB-50	200		30LBS/13.6KG
3/4" HUB	CT-DCB-75	100		20LBS/9.07KG

Product offering and specifications subject to change without notice.

SLP LIGHTING

PHONE: 636.600.4084 | 800.248.0224 FAX: 636.600.4108

www.slplighting.com V03272017



CITADEL 2™ LED ENCLOSURE

CT2LED

LED STYLE 2:

Citadel 2 Enclosure for LED: STYLE 2

CITADEL 2™ LATCHES						
		MATERIAL	PART #	PCS/BAG	PCS/CTN	WT/CTN
Latches	CITADEL 2 STAINLESS LATCH	STAINLESS	CT2-LATCHSS	BAG OF 200	2000	62LBS
	4' LATCH BAG WITH ENDPLUGS	STAINLESS	CT2-LATCH4SS	8	175	37LBS/16,9KG
	8' LATCH BAG WITH ENDPLUGS	STAINLESS	CT2-LATCH8SS	14	100	35LBS/15,9KG
	SECURE LOCKING PLASTIC LATCH	ACETAL COPOLYMER	CT2-LATCHW	BAG OF 200	1600	25LBS/11.34KG
	SECURE LOCKING PLASTIC LATCH	ACETAL COPOLYMER	CT2-LATCH2W	6	100	
	SECURE LOCKING PLASTIC LATCH	ACETAL COPOLYMER	CT2-LATCH4W	8	100	
	SECURE LOCKING PLASTIC LATCH	ACETAL COPOLYMER	CT2-LATCH8W	14	150	
	SECURE LOCKING PLASTIC LATCH	POLYCARBONATE	CT2-LATCHCC	BAG OF 200	1600	
	SECURE LOCKING PLASTIC LATCH	POLYCARBONATE	CT2-LATCH4CC	8	100	
	SECURE LOCKING PLASTIC LATCH	POLYCARBONATE	CT2-LATCH8CC	14	80	

Product offering and specifications subject to change without notice.

SLP LIGHTING

PHONE: 636.600.4084 | 800.248.0224 FAX: 636.600.4108

www.slplighting.com v03272017