

# CITADEL 2™ LED ENCLOSURE

## OEM COMPONENTS:

### Citadel 2 Enclosure for LED: STYLE 1

CITADEL 2™ offers more versatility and benefits than any other weatherproof enclosure offered in North America. Fully compatible for LED Applications and high efficiency lighting.



## APPLICATIONS:

- Parking Garages
- Exterior Retail
- Construction Sites
- Gymnasiums
- Freezers
- Food Processing
- Beverage Industry
- Manufacturing

## CERTIFICATIONS

- UL Wet Location
- NSF International
- IP65, IP66, IP67
- Nema 4X
- RoHS
- Patent Pending
- SLP Guardian Seal
- DLC QPL

## FEATURES & BENEFITS:

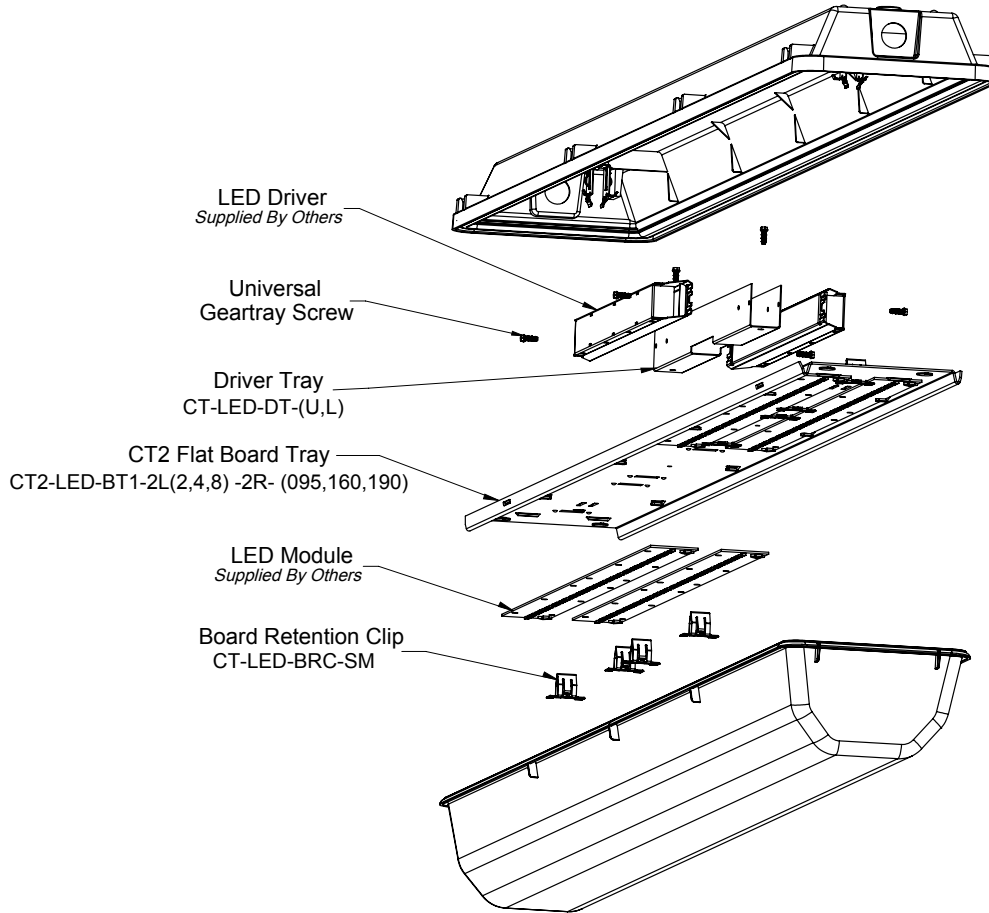
- Multiple Lighting Solutions
- Quick and Easy Assembly using Board Retention Clips
- Save Time on Maintenance
- Dual Row Board Tray for Typical Board Widths 0.95" or 1.60"
- Single Center Row Board Tray for Board Widths 1.60" or less
- Flat Board Tray Designed For LED Board Placement
- Board Retention Clips Pop In Place To Hold LED Boards - 2': 4 Clips, 4': 8 Clips, 8': 16 Clips
- Board Retention Clip Scratch Proof Conductivity Inhibitor Coating
- Retention Clip Designed To Works for .060" To .084" Overall Thickness
- With Retention Clips there is no need for Screws Or Tape
- Traditional Citadel 2 Low Profile Housing
- Three Lengths (2', 4', & 8')
- Two Housing Widths (4" & 6-3/4")
- Wide Retainer Clips for Center row of LEDs
- Poured in Place Gasket and Latches Seal Enclosures from Most Hostile Environments
- Tamper Resistant Latches: White Captive, Clear Captive Polycarbonate Or Stainless Steel
- Economical Mounting System Can Provide Dramatic Savings On The Installation Labor
- FR50™ Frosted Lenses For Smooth Distribution

Product offering and specifications subject to change without notice.



# CITADEL 2™ LED ENCLOSURE

Patent Pending



## ASSEMBLY GUIDE:

COMPONENT	STANDARD MATERIAL	PIECES REQUIRED PER ASSEMBLY			AVAILABLE OPTIONS
		2'	4'	8'	
HOUSING	UL RATED: 5VA(f1) FRP	1	1	1	HOUSING FOR SINGLE OR DUAL PENDANT MOUNTING
DIFFUSER	LINEAL RIBBED: PC OR IMPACT RESISTANT ACRYLIC (f1) MATERIAL	1	1	1	LINEAL RIBBED DIFFUSER (DIRA/DP) DEEP LENS (LIRA) SHALLOW LENS (CIRA/CP) ALL AVAILABLE IN CLEAR OR FR50 FROSTED
BOARDTRAY	CRS: MIN 87% REFLECTANCE	1	1	1	2L2, 2L4, 2L8 / 1R, 2R / 070, 095, 160 / LZ
RETAINER CLIP	STAINLESS STEEL	2	2	3	NA
RETAINER CLIP SCREW	100 PCS / BAG	2	2	3	NA
BOARD RETENTION CLIPS	METAL WHITE	4	8	16	NA
DRIVER TRAY	SHEET METAL	1	1	2	L-SHAPE FOR 1 / U-SHAPE FOR 2
UNIVERSAL GEARTRAY SCREW *CT-SCRW-UGT	CT-SCRW-UGT	2 PER DRIVER TRAY + 2 PER DRIVER L-SHAPE = 4 & U-SHAPE = 6			
GEARTRAY SAFETY STRAP	100 PCS / BAG	2	2	2	NA
LATCHES	CLEAR POLYCARBONATE	1 BAG (6)	1 BAG (8)	1 BAG (14)	316 STAINLESS STEEL LATCHES WHITE SECURE LOCKING PLASTIC (POM)
ENDPLUG	INCLUDED IN LATCH BAG	1	1	1	NA
MOUNTING BRACKET	STAINLESS STEEL	2	2	3	DRILLED FOR PENDANT OPTIONAL BAIL ACCESSORY 45 DEGREE MOUNTING BRACKET

Product offering and specifications subject to change without notice.



**CITADEL 2™ LED ENCLOSURE**

LED STYLE 1:

**Citadel 2 Enclosure for LED: STYLE 1**

<b>CITADEL 2™ HOUSINGS</b>						
WIDTH	LENGTH	MATERIAL	PART #	PCS/CTN	FULL SKID QTY.	WT/CTN
<b>NARROW</b>	4'	5VA-F1 FIBERGLASS (UL)	CT2-HV5-1L4	30	180	57LBS/34,5KG
<b>WIDE</b>	2'	5VA-F1 FIBERGLASS (UL)	CT2-HV5-2L2	20	240	75LBS/34KG
		5VA-F1 FIBERGLASS (UL) SINGLE PENDANT	CT2-HV5-2L2-CH1.25	20	240	75LBS/34KG
	4'	5VA-F1 FIBERGLASS (UL)	CT2-HV5-2L4	20	240	57LBS/25,9KG
		5VA-F1 FIBERGLASS (UL) SINGLE PENDANT	CT2-HV5-2L4-CH1.25	20	240	57LBS/25,9KG
		5VA-F1 FIBERGLASS (UL) DUAL PENDANT	CT2-HV5-2L4-2H.875	20	240	57LBS/25,9KG
8'	5VA-F1 FIBERGLASS (UL)	CT2-HV5-2L8	60	240	420LBS/190,5KG	
<b>SINGLE ROW (1R) BOARDTRAYS</b>					<i>*Boards and Drivers Provided by Others</i>	
WIDTH	LENGTH	DESCRIPTION	MATERIAL	PART #	PCS/CTN	
<b>NARROW</b>	4'	FLAT BOARD TRAY SINGLE CENTER ROW	WHITE ENAMEL STEEL	CT2-LED-BT1-1L4-1R		
		FLAT BOARD TRAY SINGLE ROW TYPICAL 0.95" BOARDS	WHITE ENAMEL STEEL	CT2-LED-BT1-1L4-1R-095		
		FLAT BOARD TRAY SINGLE ROW TYPICAL 1.60" BOARDS	WHITE ENAMEL STEEL	CT2-LED-BT1-1L4-1R-160		
		FLAT BOARDTRAY FOR PHILIPS EASE SELECT BOARD & DRIVER	WHITE ENAMEL STEEL	CT2-LED-BT1-1L4-ES		
<b>WIDE</b>	2'	*BOARD TRAY FOR CENTER ROW BOARDS <1.60" WIDE	WHITE ENAMEL STEEL	CT2-LED-BT1-2L2-1R		
		BOARD TRAY FOR CENTER ROW BOARDS 0.95" WIDE	WHITE ENAMEL STEEL	CT2-LED-BT1-2L2-1R-095		
		BOARD TRAY FOR CENTER ROW BOARDS 1.60" WIDE	WHITE ENAMEL STEEL	CT2-LED-BT1-2L2-1R-160		
	4'	*BOARD TRAY FOR CENTER ROW BOARDS <1.60" WIDE	WHITE ENAMEL STEEL	CT2-LED-BT1-2L4-1R		
		BOARD TRAY FOR CENTER ROW BOARDS 0.95" WIDE	WHITE ENAMEL STEEL	CT2-LED-BT1-2L4-1R-095		
		BOARD TRAY FOR CENTER ROW BOARDS 1.60" WIDE	WHITE ENAMEL STEEL	CT2-LED-BT1-2L4-1R-160		
	8'	*BOARD TRAY FOR CENTER ROW BOARDS <1.60" WIDE	WHITE ENAMEL STEEL	CT2-LED-BT1-2L8-1R		
		BOARD TRAY FOR CENTER ROW BOARDS 0.95" WIDE	WHITE ENAMEL STEEL	CT2-LED-BT1-2L8-1R-095		
		BOARD TRAY FOR CENTER ROW BOARDS 1.60" WIDE	WHITE ENAMEL STEEL	CT2-LED-BT1-2L8-1R-160		
ALL 1R BOARDTRAYS REQUIRE CT-RC-WIDE AND ONLY USE THE "L" DRIVER TRAY						
<b>DUAL ROW (2R) BOARDTRAYS</b>						
<b>WIDE</b>	2'	BOARD TRAY 2 ROWS FOR 0.95" BOARDS	WHITE ENAMEL STEEL	CT2-LED-BT1-2L2-2R-095	500	
		BOARD TRAY 2 ROWS FOR 1.60" BOARDS	WHITE ENAMEL STEEL	CT2-LED-BT1-2L2-2R-160	500	
	4'	BOARD TRAY 2 ROWS FOR 0.95" BOARDS	WHITE ENAMEL STEEL	CT2-LED-BT1-2L4-2R-095	500	
		BOARD TRAY 2 ROWS FOR 1.60" BOARDS	WHITE ENAMEL STEEL	CT2-LED-BT1-2L4-2R-160	500	
	8'	BOARD TRAY 2 ROWS FOR 0.95" BOARDS	WHITE ENAMEL STEEL	CT2-LED-BT1-2L8-2R-095	200	
		BOARD TRAY 2 ROWS FOR 1.60" BOARDS	WHITE ENAMEL STEEL	CT2-LED-BT1-2L8-2R-160	200	
<b>MULTI-ROW BOARDTRAYS (FOR SINGLE 1R OR DUAL 2R ROWS)</b>						
<b>WIDE</b>	2'	BOARD TRAY FOR LINEAR ZHAGA BOARDS	WHITE ENAMEL STEEL	CT2-LED-BT1-2L2-LZ		
	4'	BOARD TRAY FOR LINEAR ZHAGA BOARDS	WHITE ENAMEL STEEL	CT2-LED-BT1-2L4-LZ		
		BOARD TRAY FOR 0.70" BOARDS	WHITE ENAMEL STEEL	CT2-LED-BT1-2L4-070		
	8'	BOARD TRAY FOR LINEAR ZHAGA BOARDS	WHITE ENAMEL STEEL	CT2-LED-BT1-2L8-LZ		
		BOARD TRAY FOR 0.70" BOARDS	WHITE ENAMEL STEEL	CT2-LED-BT1-2L8-070		
BOARD RETENTION CLIPS ONLY USED FOR CERTAIN BOARDTRAYS - CONTACT SLP FOR INFORMATION						
<b>CITADEL 2™ MOUNTING BRACKETS</b>						
		MATERIAL	PART #	PCS/BAG	PCS/CTN	WT/CTN
<b>NARROW</b>	NARROW MOUNTING BRACKET (2 PER HOUSING)	STAINLESS STEEL	CT2-MB-1L		250	9LBS/4,1KG
	PRE PACKAGED 2 PER BAG	STAINLESS STEEL	CT2-MB-1L-2	2	250	
<b>WIDE</b>	WIDE MOUNTING BRACKET (2 PER HOUSING)	STAINLESS STEEL	CT2-MB-2L		400	18KLBS/8,2KG
	PRE PACKAGED 2 PER BAG	STAINLESS STEEL	CT2-MB-2L-2	2	250	31LBS/14.06KG
	DUAL PENDANT MOUNT BRACKET (2 PER HOUSING)	STAINLESS STEEL	CT2-MB-2L-MCH		500	
	45 DEGREE MOUNTING BRACKET (2 PER HOUSING)	STAINLESS STEEL	CT2-MB-2L45			
	45 DEGREE MOUNTING BRACKET PACK	STAINLESS STEEL	CT2-MB-2L45-2	2		

Product offering and specifications subject to change without notice.



# CITADEL 2™ LED ENCLOSURE

LED STYLE 1:

## Citadel 2 Enclosure for LED: STYLE 1

MOUNTING ACCESSORIES		MATERIAL	PART #	PCS/BAG	PCS/CTN	WT/CTN
	CHAIN HANG: MOUNTING BAIL (2 PER HOUSING)	STAINLESS STEEL	CT-BAIL	100		27LBS/12,2KG
WIDE	2' PENDANT MOUNT SUPPORT TRAY	WHITE ENAMEL	CT2-2L-PMDT			
	4' SINGLE OR DUAL PENDANT MOUNT SUPPORT TRAY	WHITE ENAMEL	CT2--2L4-2XDAR			

CITADEL 2™ HARDWARE		PART #	PCS/BAG	PCS/CTN	WT/CTN
	BOARD RETENTION CLIP	CT-LED-BRC-SM	200		
	BOARD RETENTION CLIP SINGLE ROW FOR 1L4 ONLY	CT-LED-BRC-SM-S	200		
	2R BOARDTRAY RETAINER CLIP	CT-RC	200	2400	16LBS/7,3KG
	1R WIDE BOARDTRAY RETAINER CLIP	CT-RC-WIDE	200		
	GEARTRAY RETAINER CLIP SCREWS (100 PER BAG)	CT-SCRW	100	10,000	52LBS/23,6KG
	UNIVERSAL GEARTRAY BALLAST SCREWS	CT-SCRW-UGT	100	10,000	
	1/2" HUB	CT-DCB-50	200		30LBS/13.6KG
	3/4" HUB	CT-DCB-75	100		20LBS/9.07KG
	DRIVER TRAY "L" SHAPE FOR ONE DRIVER (16.9" long)	CT-LED-DT-L	200		
	DRIVER TRAY "U" SHAPE FOR TWO DRIVERS (14.4" long)	CT-LED-DT-U	336		
	GEARTRAY SAFETY STRAPS (100 PER BAG)	CT-SST	100	10,000	17LBS/7,7KG
	LENS TETHER (20 PER BAG)	CT-LT12	20	2000	11LBS/7KG
	GASKET AND SHIM (100 PER BAG)	CT-DA5	100	1000	
	ENDPLUGS	CT-ENDPLUG-B	200	2000	22LBS/10KG
	WIRE GROMMET	CT-GRMT-0500	200		

CITADEL 2 DIFFUSERS & LENSES:								
WIDTH	LENGTH	DESIGN	MATERIAL	PART # FOR CLEAR	PART # FOR FR50™ FROSTED	PCS/CTN	FULL SKID QTY	WT/CTN
NARROW	4'	LINEAL RIBBED	POLYCARBONATE	CT2-DP-1L4	CT2-DP-1L4-FR50	30	180	25LBS/11,3KG
		LINEAL RIBBED	IMPACT RESISTANT ACRYLIC	CT2-DIRA-1L4	CT2-DIRA-1L4-FR50	30	360	25LBS/11,3KG
		SMOOTH	POLYCARBONATE	CT2-CP-1L4	CT2-CP-1L4-FR50	40	360	41LBS/18.14KG
		SMOOTH	IMPACT RESISTANT ACRYLIC	CT2-CIRA-1L4	CT2-CIRA-1L4-FR50	40	360	41LBS/18.14KG
WIDE	2'	LINEAL RIBBED	POLYCARBONATE	CT2-DP-2L2	CT2-DP-2L2-FR50	20	180	22LBS/9,97KG
		LINEAL RIBBED	IMPACT RESISTANT ACRYLIC	CT2-DIRA-2L2	CT2-DIRA-2L2-FR50	20	180	21LBS/9,5KG
		DEEP	IMPACT RESISTANT ACRYLIC	CT2-LIRA-2L2	CT2-LIRA-2L2-FR50	20	180	21LBS/9,5KG
	4'	LINEAL RIBBED	POLYCARBONATE	CT2-DP-2L4	CT2-DP-2L4-FR50	20	240	21LBS/9,5KG
		LINEAL RIBBED	IMPACT RESISTANT ACRYLIC	CT2-DIRA-2L4	CT2-DIRA-2L4-FR50	20	240	38LBS/17,2KG
		SMOOTH	POLYCARBONATE	CT2-CP-2L4	CT2-CP-2L4-FR50	20	240	50LBS/22,6KG
		SMOOTH	IMPACT RESISTANT ACRYLIC	CT2-CIRA-2L4	CT2-CIRA-2L4-FR50	20	240	27LBS/12.2KG
	8'	DEEP	IMPACT RESISTANT ACRYLIC	CT2-LIRA-2L4	CT2-LIRA-2L4-FR50	20	240	28LBS/12.7KG
		LINEAL RIBBED	IMPACT RESISTANT ACRYLIC	CT2-DIRA-2L8	CT2-DIRA-2L8-FR50	10	240	48LBS/21.7KG
		DEEP	IMPACT RESISTANT ACRYLIC	CT2-LIRA-2L8	CT2-LIRA-2L8-FR50	10	120	52LBS/23.6KG

CITADEL 2™ LATCHES		MATERIAL	PART #	PCS/BAG	PCS/CTN	WT/CTN
BULK	CITADEL 2 STAINLESS LATCH	316 STAINLESS	CT2-LATCHSS	200	2000	62LBS
	WHITE SECURE LOCKING PLASTIC LATCH	ACETAL COPOLYMER	CT2-LATCHW	200	1600	25LBS/11.34KG
	CLEAR SECURE LOCKING PLASTIC LATCH	POLYCARBONATE	CT2-LATCHCC	200	1600	
2'	WHITE SECURE LOCKING PLASTIC LATCH	ACETAL COPOLYMER	CT2-LATCH2W	6	100	
	CLEAR SECURE LOCKING PLASTIC LATCH	POLYCARBONATE	CT2-LATCH2CC	6	100	
4'	LATCH BAG WITH ENDPLUGS	316 STAINLESS	CT2-LATCH4SS	8	175	37LBS/16,9KG
	WHITE SECURE LOCKING PLASTIC LATCH BAG WITH ENDPLUGS	ACETAL COPOLYMER	CT2-LATCH4W	8	100	
	CLEAR SECURE LOCKING PLASTIC LATCH BAG WITH ENDPLUGS	POLYCARBONATE	CT2-LATCH4CC	8	100	
8'	LATCH BAG WITH ENDPLUGS	316 STAINLESS	CT2-LATCH8SS	14	100	35LBS/15,9KG
	WHITE SECURE LOCKING PLASTIC LATCH BAG WITH ENDPLUGS	ACETAL COPOLYMER	CT2-LATCH8W	14	150	
	CLEAR SECURE LOCKING PLASTIC LATCH BAG WITH ENDPLUGS	POLYCARBONATE	CT2-LATCH8CC	14	80	

Product offering and specifications subject to change without notice.

